



AVAILABLE MOUNTING CONFIGURATIONS

81013ZX-F FRAME MOUNT
 81013ZX-RP-F REDI-PRIME FRAME MOUNT
 81013ZX-EM ENGINE MOUNT
 81013ZX-RP-EM REDI-PRIME ENGINE MOUNT
 81013ZX-CC CLOSE- COUPLED

OPERATING LEVELS

MIN FLOW	900 GPM	204.41 m ³ /h
MAX FLOW	4250 GPM	965.28 m ³ /h
DISCHARGE SIZE	8"	203.2 mm
SUCTION SIZE	10"	254 mm
SOLIDS HANDLING	1.31"	33.3 mm
MAX SPEED	1800 RPM	1800 RPM
SHUT-OFF HEAD	180'	54.86 m
BEP HEAD	145'	44.19 m
BEP FLOW	3100 GPM	704.08 m ³ /h
BEP PERCENT	85%	85%
HP RANGE	150 HP	112 kW
OPERATING SPEEDS	1000 to 1800 RPM	1000 to 1800 RPM



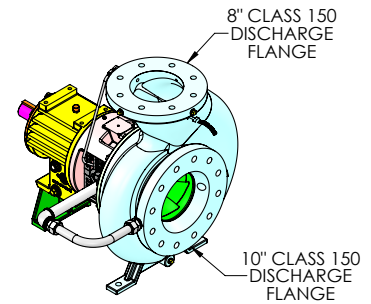
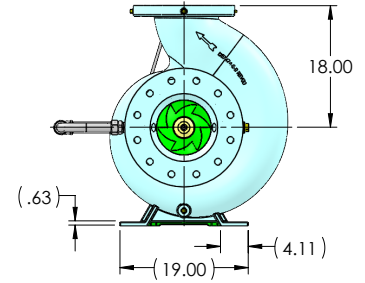
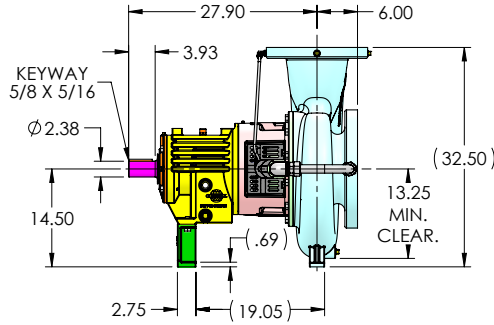
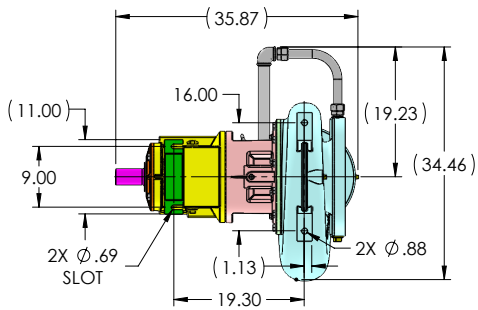
A typical picture of the pump is shown. Please contact Cornell Pump Company for further details. All information is approximate and for general guidance only.

PARTS	STANDARD MATERIAL (ALL IRON)	CD4MCU
WEAR RING	ASTM A395 DUCTILE IRON	ASTM A890 GR 1B CD4MCU
IMPELLER	ASTM A395 DUCTILE IRON	ASTM A890 GR 1B CD4MCU
VOLUTE	ASTM A395 DUCTILE IRON	ASTM A890 GR 1B CD4MCU
BACKPLATE	ASTM A395 DUCTILE IRON	ASTM A890 GR 1B CD4MCU
BEARING HOUSING	ASTM A395 DUCTILE IRON	ASTM A395 DUCTILE IRON
SHAFT	SAE 1144 STRESSPROOF STEEL	316 STAINLESS
SHAFT SLEEVE	316 STAINLESS	ASTM A890 GR 1B CD4MCU

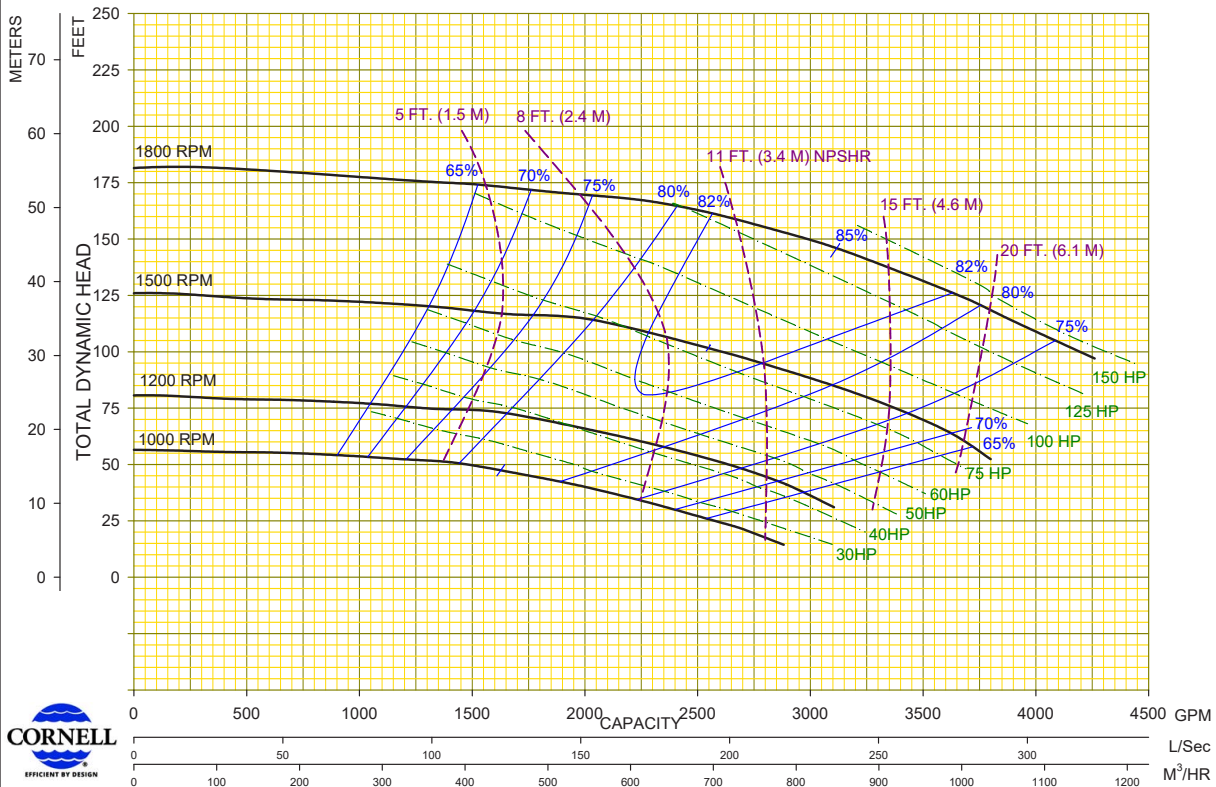
The 81013ZX pump is designed with Cornell's renowned quality and durability. It features a 8" discharge, 10" suction, and enclosed impeller with a centerline ANSI dimensional volute. Available in All Iron or CD4MCu materials. Frame Mounted, Engine Mounted or Close Coupled configurations are available with a Type 1 single mechanical, cartridge seals, or packing.

- Meets ANSI Dimensional Standards
- Centerline Construction
- Frame Mounted, Engine Mounted or Close Coupled
- Redi-Prime® or Run-Dry® available
- Oversized Oil Capacity
- Oil Lubricated Bearing Frame
- Isolator Bearing Frame Seals
- Cartridge or Type 1 Mechanical Seals
- Hydraulic Balance Line
- Pulse Vibration and Temperature Monitor
- Co-Pilot Ready
- Industry-leading two-year warranty
- Industry-leading efficiencies
- Heavy duty construction
- Double Volute for improved bearing life





Speed	Impeller Dia.	Style	Volute	Solids Dia.	N _s	Suction	Discharge	No. Vanes
VARIOUS	13.5"	ENCLOSED	DOUBLE	1.31"	2350	10"	8"	6



Cornell Pump Company • Clackamas, Oregon	X	X	X	MODEL : 81013ZX TYPE : ANSI	CURVE NO: 81013ZXVA
	00	1/16/23	JD/JW		