



DATA SHEET

6815ZX

AVAILABLE MOUNTING CONFIGURATIONS

6815ZX-F FRAME MOUNT
 6815ZX-RP-F REDI-PRIME FRAME MOUNT
 6815ZX-EM ENGINE MOUNT
 6815ZX-RP-EM REDI-PRIME ENGINE MOUNT
 6815ZX-CC CLOSE- COUPLED

OPERATING LEVELS

MIN FLOW	650 GPM	147.63 m ³ /h
MAX FLOW	3100 GPM	704.08 m ³ /h
DISCHARGE SIZE	6"	152.4 mm
SUCTION SIZE	8"	203.2 mm
SOLIDS HANDLING	1.12"	28.44 mm
MAX SPEED	1800 RPM	1800 RPM
SHUT-OFF HEAD	237'	72.23m
BEP HEAD	200'	60.96 m
BEP FLOW	2150 GPM	488.31 m ³ /h
BEP PERCENT	85%	85%
HP RANGE	150HP	150HP
OPERATING SPEEDS	1800RPM	1800RPM



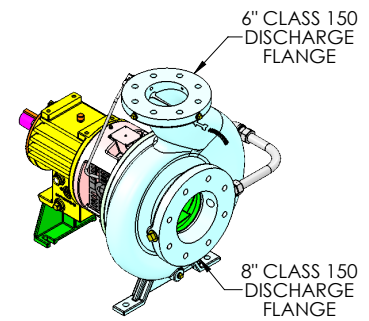
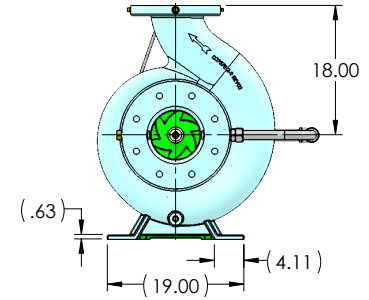
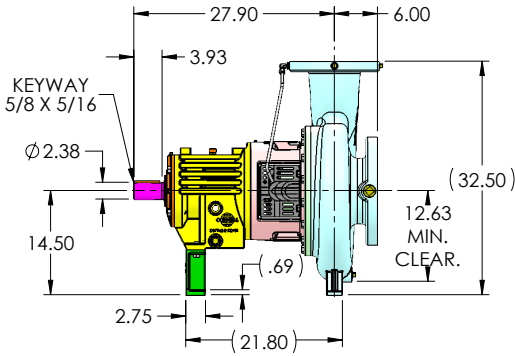
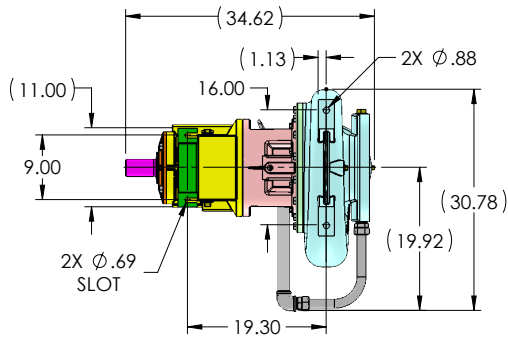
A typical picture of the pump is shown. Please contact Cornell Pump Company for further details. All information is approximate and for general guidance only.

PARTS	STANDARD MATERIAL (ALL IRON)	CD4MCU
WEAR RING	ASTM A395 DUCTILE IRON	ASTM A890 GR 1B CD4MCU
IMPELLER	ASTM A395 DUCTILE IRON	ASTM A890 GR 1B CD4MCU
VOLUTE	ASTM A395 DUCTILE IRON	ASTM A890 GR 1B CD4MCU
BACKPLATE	ASTM A395 DUCTILE IRON	ASTM A890 GR 1B CD4MCU
BEARING HOUSING	ASTM A395 DUCTILE IRON	DI (DUCTILE IRON)
SHAFT	SAE 1144 STRESSPROOF STEEL	SE (316 STAINLESS)
SHAFT SLEEVE	SE (316 STAINLESS)	ASTM A890 GR 1B CD4MCU

The 3413ZX pump is designed with Cornell's renowned quality and durability. It features a 3" discharge, 4" suction, and enclosed impeller with a centerline ANSI dimensional volute. Available in All Iron or CD4MCu materials. Frame Mounted, Engine Mounted or Close Coupled configurations are available with a Type 1 single mechanical, cartridge seals, or packing.

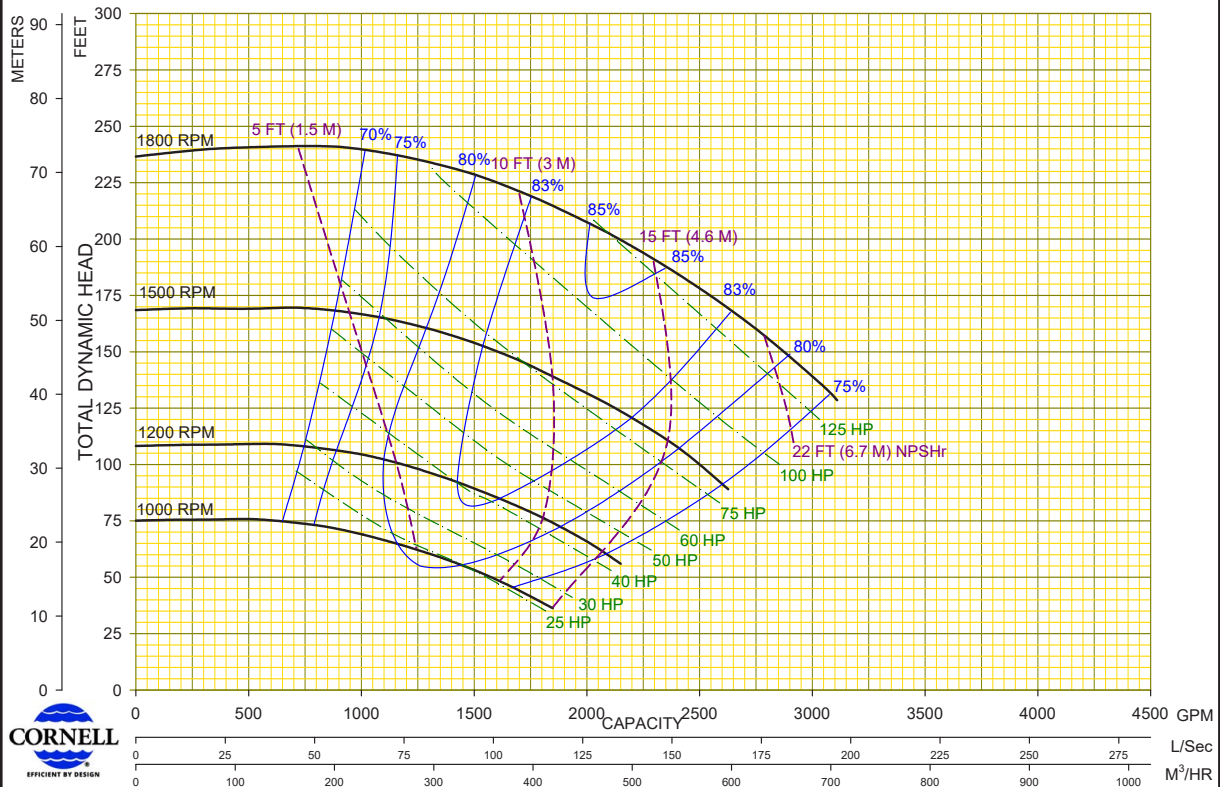
- Meets ANSI Dimensional Standards
- Centerline Construction
- Frame Mounted, Engine Mounted or Close Coupled
- Redi-Prime® or Run-Dry® available
- Oil Lubricated Bearing Frame
- Oversized Oil Capacity
- Isolator Bearing Frame Seals
- Cartridge or Type 1 Mechanical Seals
- Hydraulic Balance Line
- Pulse Vibration and Temperature Monitor
- Co-Pilot Ready
- Industry-leading two-year warranty
- Industry-leading efficiencies
- Heavy duty construction





Performances shown are for S.G. 1.0
60°F water, close coupled configuration.
Other mounting styles or S.G.
may require curve adjustments.

Speed	Impeller Dia.	Style	Volute	Solids Dia.	N _s	Suction	Discharge	No. Vanes
VARIOUS	15.22 in	ENCLOSED	DOUBLE	1.12 in	1570	8 in	6 in	6



Cornell Pump Company • Clackamas, Oregon	00	7/7/22	JRW/IAL	MODEL : 6815ZX	CURVE NO:	6815ZXVA
	X	X	X	TYPE : ANSI		