



DATA SHEET

4613ZX

AVAILABLE MOUNTING CONFIGURATIONS

4613ZX-F FRAME MOUNT
 4613ZX-RP-F REDI-PRIME FRAME MOUNT
 4613ZX-EM ENGINE MOUNT
 4613ZX-RP-EM REDI-PRIME ENGINE MOUNT
 4613ZX-CC CLOSE- COUPLED

OPERATING LEVELS

MIN FLOW	350 GPM	79.49 m ³ /h
MAX FLOW	1400 GPM	317.97 m ³ /h
DISCHARGE SIZE	4"	101.6 mm
SUCTION SIZE	6"	152.4 mm
SOLIDS HANDLING	0.83"	21.08 mm
MAX SPEED	1800 RPM	1800 RPM
SHUT-OFF HEAD	170'	51.8 m
BEP HEAD	145'	44.19 m
BEP FLOW	1150 GPM	261.19 m ³ /h
BEP PERCENT	81%	81%
HP RANGE	60 HP	45 KW
OPERATING SPEEDS	1000 to 1800 RPM	1000 to 1800 RPM
MAX OPERATING TEMP	250° F	121.1° C



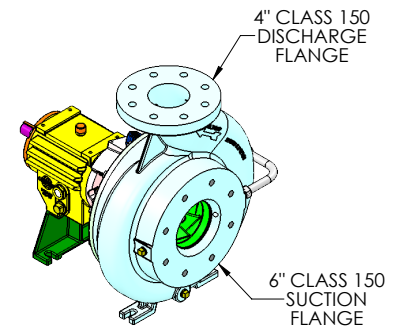
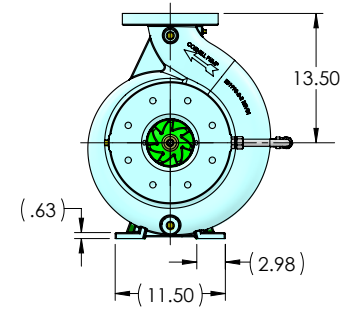
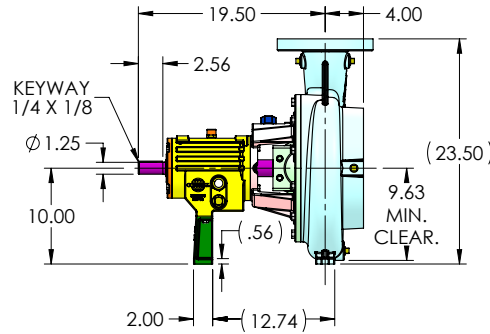
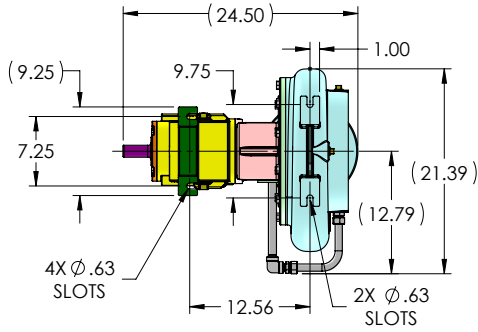
A typical picture of the pump is shown. Please contact Cornell Pump Company for further details. All information is approximate and for general guidance only.

PARTS	STANDARD MATERIAL (ALL IRON)	CD4MCU
WEAR RING	ASTM A395 DUCTILE IRON	ASTM A890 GR 1B CD4MCU
IMPELLER	ASTM A395 DUCTILE IRON	ASTM A890 GR 1B CD4MCU
VOLUTE	ASTM A395 DUCTILE IRON	ASTM A890 GR 1B CD4MCU
BACKPLATE	ASTM A395 DUCTILE IRON	ASTM A890 GR 1B CD4MCU
BEARING HOUSING	ASTM A395 DUCTILE IRON	DI (DUCTILE IRON)
SHAFT	SAE 1144 STRESSPROOF STEEL	SE (316 STAINLESS)
SHAFT SLEEVE	SE (316 STAINLESS)	ASTM A890 GR 1B CD4MCU

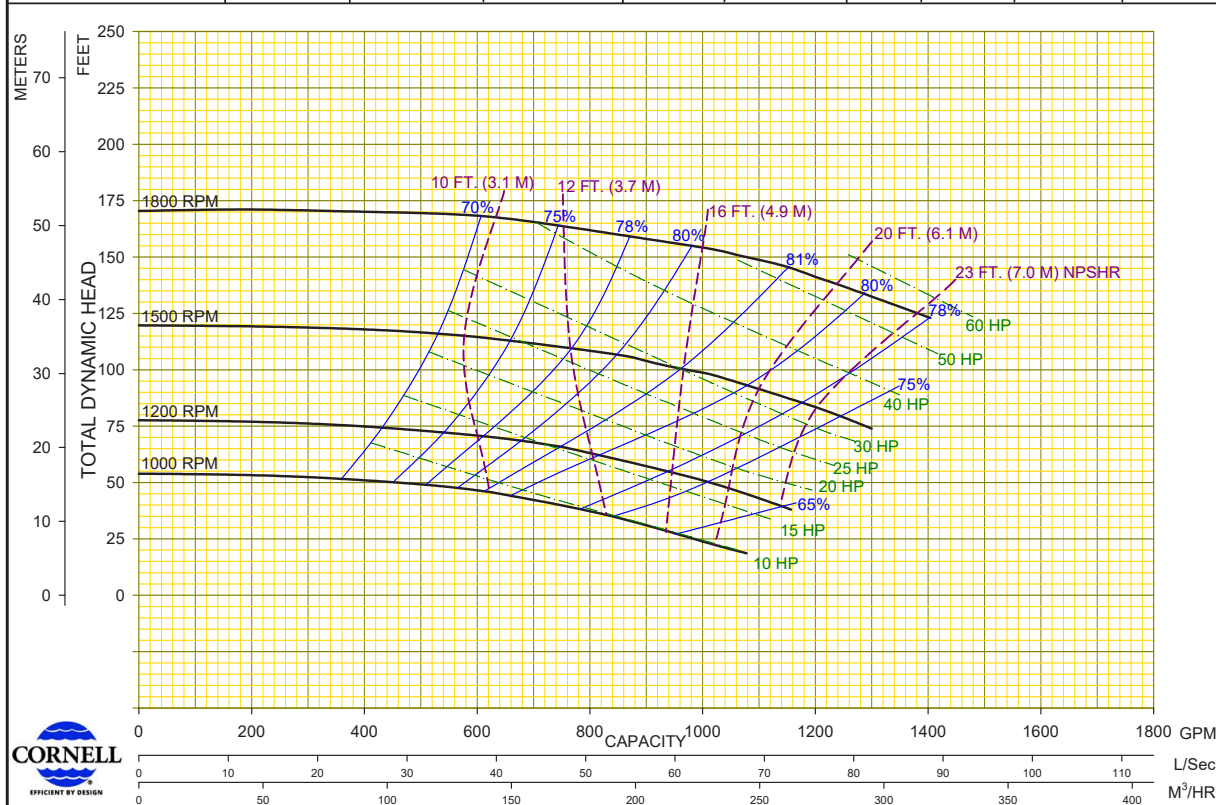
The 4613ZX pump is designed with Cornell's renowned quality and durability. It features a 4" discharge, 6" suction, and enclosed impeller with a centerline ANSI dimensional volute. Available in All Iron or CD4MCu materials. Frame Mounted, Engine Mounted or Close Coupled configurations are available with a Type 1 single mechanical, cartridge seals, or packing.

- Meets ANSI Dimensional Standards
- Centerline Construction
- Frame Mounted, Engine Mounted or Close Coupled
- Redi-Prime® or Run-Dry® available
- Oil Lubricated Bearing Frame
- Oversized Oil Capacity
- Isolator Bearing Frame Seals
- Cartridge or Type 1 Mechanical Seals
- Hydraulic Balance Line
- Pulse Vibration and Temperature Monitor
- Co-Pilot Ready
- Industry-leading two-year warranty
- Industry-leading efficiencies
- Heavy duty construction





Performances shown are for S.G. 1.0 60°F water, Close Coupled configuration. Other mounting styles or S.G. may require curve adjustments.	Speed	Impeller Dia.	Style	Volute	Solids Dia.	N _s	Suction	Discharge	No. Vanes
	VARIOUS	12.75"	ENCLOSED	SINGLE	.83"	1470	6"	4"	7



Cornell Pump Company • Clackamas, Oregon	X	X	X	MODEL : 4613ZX	CURVE NO: 4613ZXVA
	00	10/04/21	FM/JW	TYPE : ANSI	