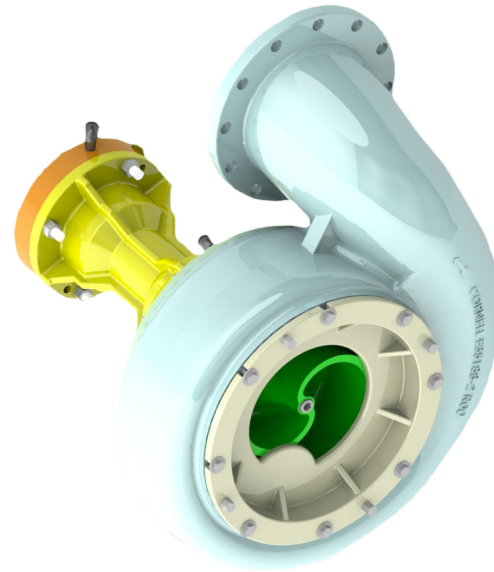


# 8NNWH



AVAILABLE MOUNTING CONFIGURATIONS	
8NNWH - VF VERTICAL FRAME MOUNT	
8NNWH - VSF VERTICAL SUBMERSIBLE FRAME	

OPERATING LEVELS		
MIN FLOW	600 GPM	136.27 m <sup>3</sup> /h
MAX FLOW	3500 GPM	794.93 m <sup>3</sup> /h
DISCHARGE SIZE	8"	203.2 mm
SUCTION SIZE	8"	203.2 mm
SOLIDS HANDLING	3.38"	85.85 mm
MAX SPEED	1800 RPM	1800 RPM
SHUT-OFF HEAD	226'	68.88 m
BEP HEAD	132'	40.23 m
BEP FLOW	2100 GPM	476.96 m <sup>3</sup> /h
BEP PERCENT	59%	59%



A typical picture of the pump is shown. Please contact Cornell Pump Company for further details. All information is approximate and for general guidance only.

PARTS	STANDARD MATERIAL (ALL IRON)
IMPELLER	CHROME IRON
VOLUTE	CAST IRON ASTM48 CL30
SHAFT	STRESS PROOF STEEL
SUCTION COVER	CAST IRON ASTM48 CL30
BACKPLATE	CAST IRON ASTM48 CL30
WEAR PLATE	A2 TOOL STEEL - HEAT TREATED
MECHANICAL SEAL	TUNGSTEN CARBIDE VS SILICON CARBIDE; VITON ELASTOMER
BEARING FRAME	CAST IRON ASTM48 CL30
O-RINGS	BUNA

The 8NNWH pump is designed with Cornell's renowned quality and durability. It features a 8" discharge, 8" suction, axial discharge volute, and semi-open impeller. Cornell's patented Cycloseal® design is standard, with a Type 2 single mechanical seal with Viton elastomers, stainless steel hardware and tungsten carbide vs. silicon carbide seal faces for abrasion resistance.

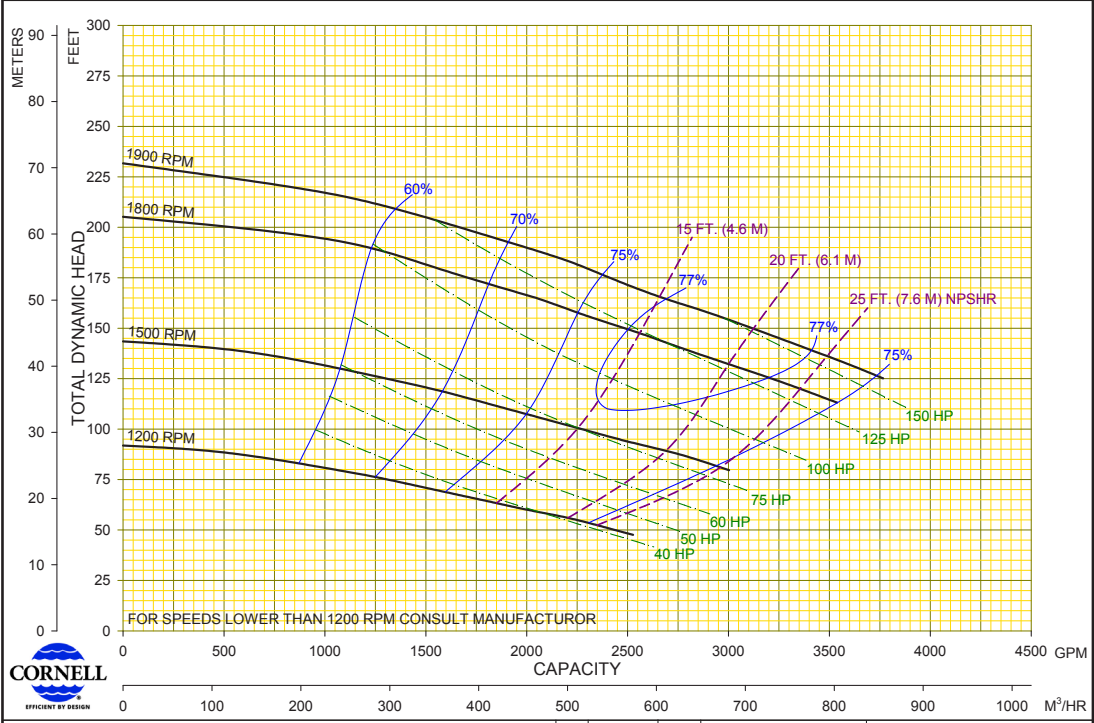
- Heavy duty construction
- Flow rates up to 3400 GPM / Heads up to 226'
- Handles solids up to 3.38"
- Patented Cycloseal® design
- Hardness >650BHN wears better than standard cast iron
- Industry-leading two-year warranty



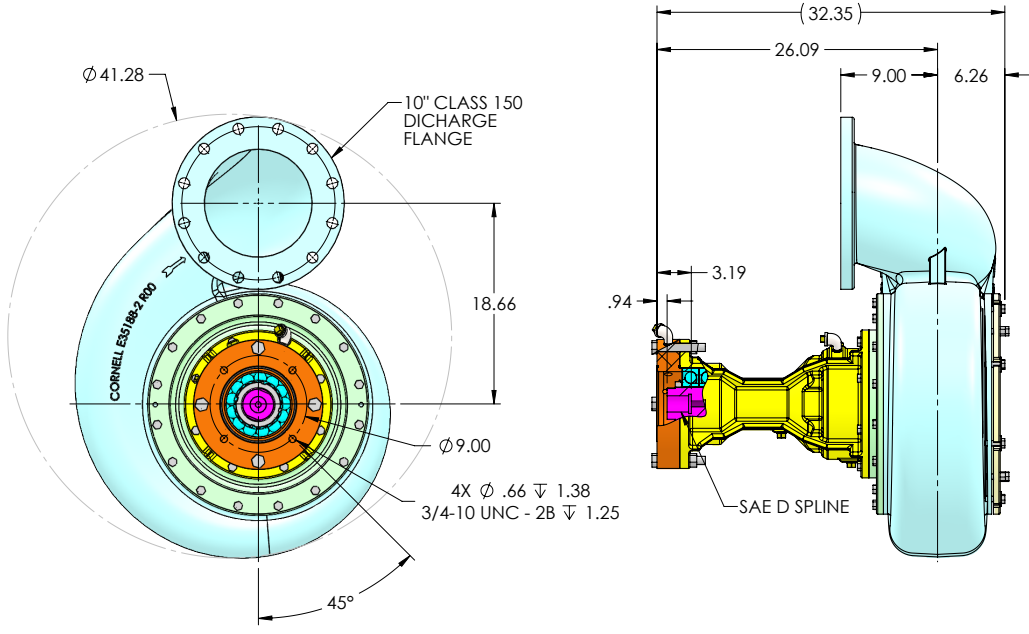
# 8NNWH



Performances shown are for S.G. 1.0 60°F water, close-coupled configuration. Other mounting styles or S.G. may require curve adjustments.	Speed	Impeller Dia.	Style	Volute	Solids Dia.	N <sub>s</sub>	Suction	Discharge	No. Vanes
	VARIOUS	14.00"	ENCLOSED	SINGLE	3.38"	2450	8"	8"	2



Cornell Pump Company • Clackamas, Oregon	---	---	---	---	MODEL : 8NNW	CURVE NO: <b>8NNWVA</b>
	00	06/16/15	CTG	---	TYPE : SOLIDS HANDLING	



- NOTES:
- OVERALL DIMENSIONS CAN VARY  $\pm .12$  INCH
  - DO NOT USE FOR CONSTRUCTION UNLESS CERTIFIED
  - REF: BMQ410A-A00

DS235-1902-GE