



# INTRODUCING ...

## Cornell Pump Company is pleased to announce the introduction of the 12NHPP, 12 inch food handling pump

Cornell's innovative single port impeller, coupled with our offset volute, provides the end user with a food handling pump capable of transporting even the most delicate food products.

Many Cornell innovations have evolved from our commitment to the food processing marketplace and an ongoing effort to work with the industry in providing solutions for food handling and processing applications.

### Performance

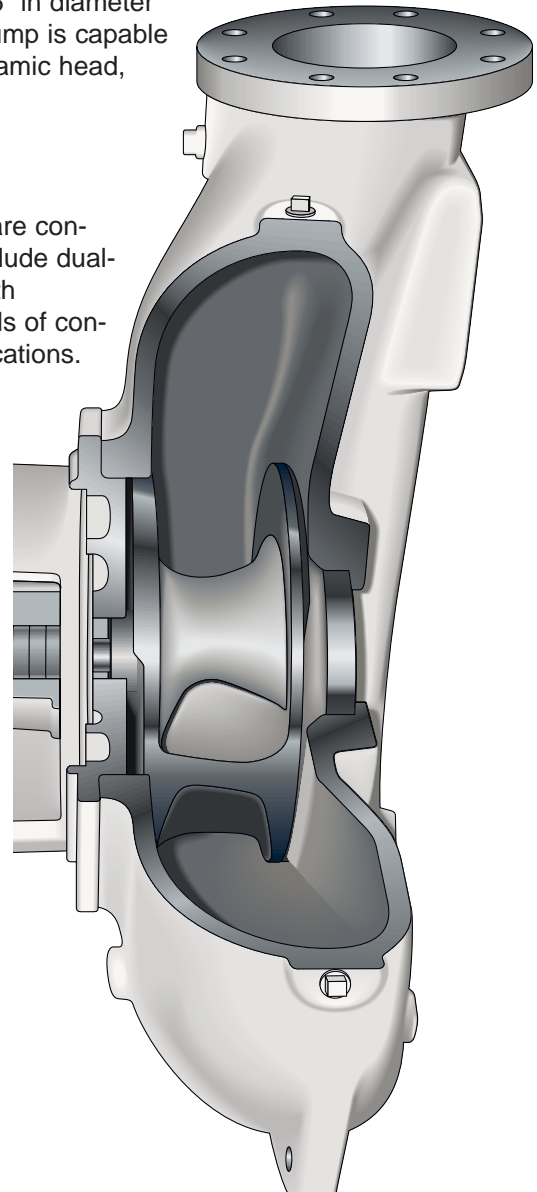
The 12NHPP-F-12K food handling pump is designed for food processing systems, which require enhanced processing and transporting performance. The 12NHPP-F12K food handling pump is capable of handling discrete food products of up to 8.75" in diameter by 14" in length. Moreover, the 12NHPP-F-12K food handling pump is capable of achieving a flow rate of 4,950 US GPM at 48 feet of total dynamic head, operating at 800 RPM with a best efficiency point of 74%.

### Setting the Standard

Cornell's 12NHPP-F-12K frame mounted food handling pumps are constructed of ASTM A48, Class30 Cast Iron. Standard features include dual-plane and dynamically balanced impellers; heavy-duty shafts with replaceable shaft sleeves and suction wear rings. Other materials of construction are available as an option for abrasive or caustic applications.

Cornell Pump Company's food handling and process pumps are designed and manufactured specifically for industrial food processing applications. With over 50 years of proven experience and reliability, Cornell Pump Company has established an industry-leading standard for premium quality and performance. Cornell products are engineered to be tough and dependable and each Cornell pump is backed by an industry-leading two year warranty.

For further information contact Steve Hess at 503-653-0330, or via e-mail at [dpetersen@cornellpump.com](mailto:dpetersen@cornellpump.com)



**Cornell Pump Company**

Portland, Oregon  
U.S.A.

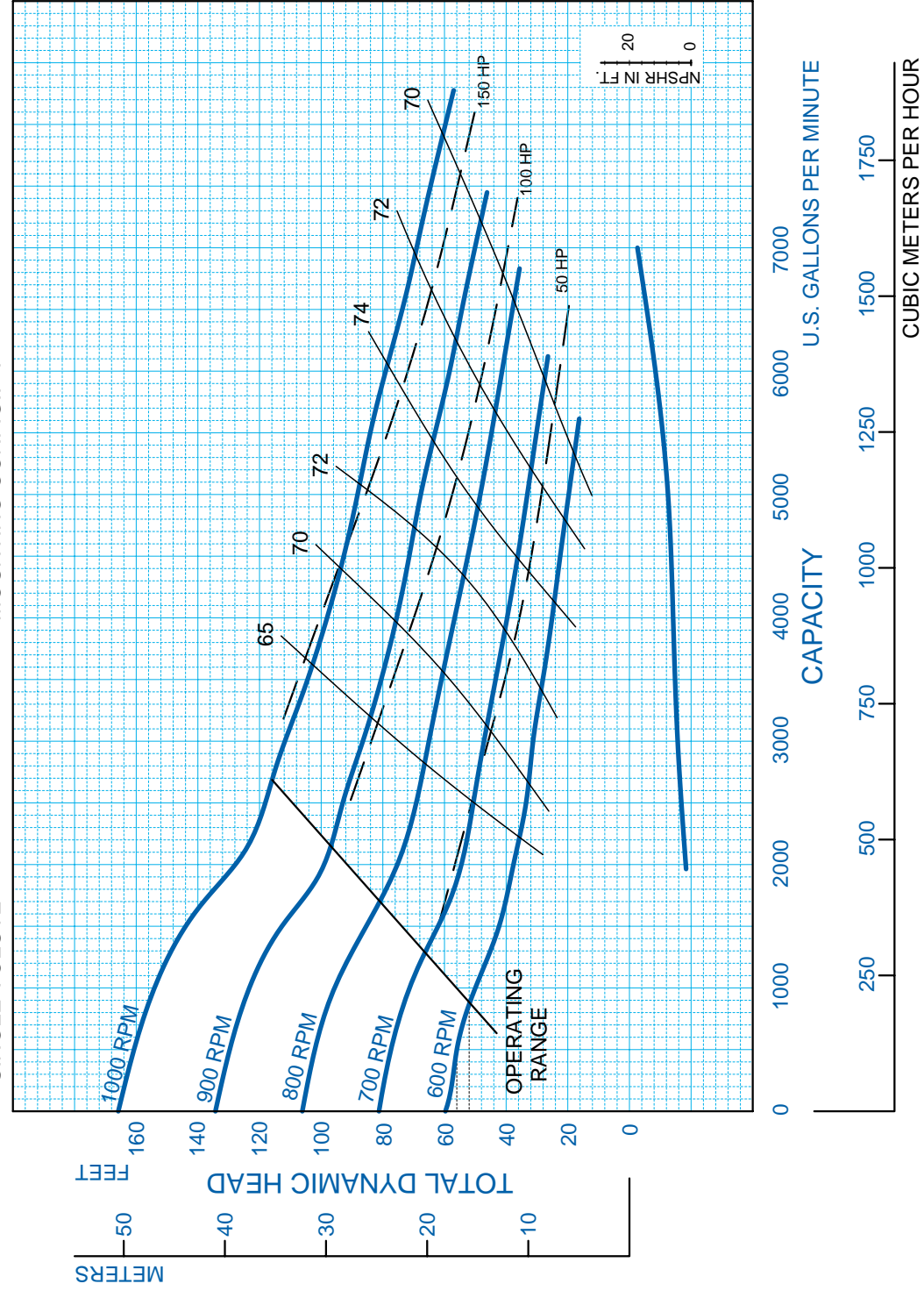
Phone: (503) 653-0330  
Fax: (503) 653-0338  
Web: [www.cornellpump.com](http://www.cornellpump.com)

Feet x .305 = Meters  
 Inches x 25.4 = Millimeters  
 GPM x .227 = Cubic Meters/Hour  
 GPM x 3.785 = Liters/Minute  
 HP x .746 = KW

Speed	Impeller Dia.	Style	Solids Dia.	N <sub>S</sub>	Suction	Discharge	No. vanes
VARIOUS	21.5"	ENCLOSED	8.75"x14"	2900	12	12	1

MOUNTING CONFIG.: F

SINGLE VOLUTE



Performances shown are for cool water.  
 Other liquids, mounting configurations, or seal  
 arrangements may require horsepower and/or  
 performance adjustments.

03/12/02



Cornell Pump Company • Portland, Oregon

12NHPP-VARIOUS RPM