

New Solids Handling Pump 10NNT

2006

by Mike Diment

Rental/DAF & Refrigeration Sales Manager

Cornell's newest Redi-Prime® pump available to the marketplace is the 10NNT. The 10NNT is an extension of the popular 4NNT, 6NNT and 8NNT product line, which is characterized by high flow and moderate head at a competitive cost. The 10NNT is a solids handling pump with superior hydraulic efficiency and exceptional suction lift capability. (See curve below)

Cornell's Redi-Prime® pumps are engineered for operation in the most rugged and demanding environments. The Redi-Prime® product is routinely used in construction, dewatering and bypass applications for the Industrial, Municipal and Rental markets. Cornell has been the industry leader in this market for over a decade, setting the standard for dependability, performance, and suction lift.

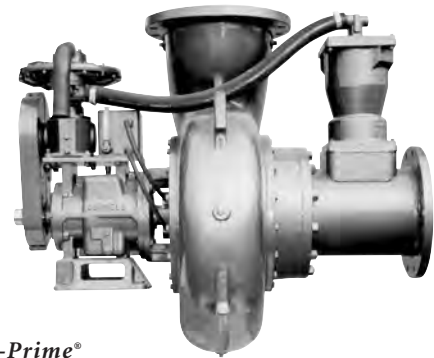
The patented cyclo seal design with Run-Dry™ feature is incorporated in all Redi-Prime® products to ensure extended seal life in all operating environments. The Run-Dry™ feature allows the pump to run dry for extended periods of time, eliminating the need for constant monitoring.

Cornell's priming system was specifically designed with the environment in mind. A positive sealing float box isolates the pump from the priming system, once the pump is primed. The positive sealing float box eliminates the potential for pumpage carry-over and minimizes the potential for environmental contamination.

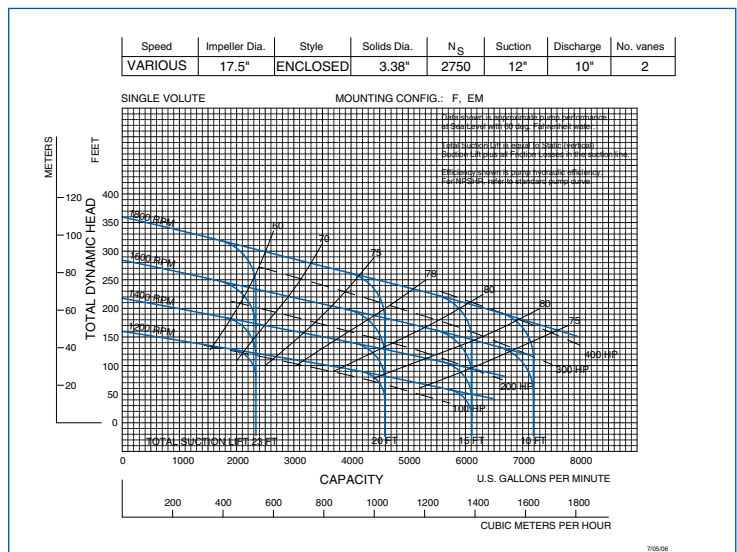
All Cornell F16, F18, F85, F20 and F30 pumps are offered in the Redi-Prime® configuration including our clear liquid pumps in the RB, H, Y and W families, and all of our solids handling pumps from the 4NNT to the 30NNT. In addition, the 4NC and 6NC chopper pumps were recently added to the Redi-Prime® line.

Cornell offers an industry leading range of performance. Our installations number in the thousands and the Redi-Prime® product has participated in some of the largest bypass and dewatering projects in the world during the last decade. The Cornell Redi-Prime® is dependable, rugged and is extremely cost effective to operate due to outstanding hydraulic efficiencies.

Please contact your Cornell Pump Sales Representative for additional information, product specification and technical assistance.



10NNT Redi-Prime®



CORNELL PUMP COMPANY
16261 SE 130TH AVE
CLACKAMAS, OR 97015
503-653-0330
WWW.CORNELLPUMP.COM