

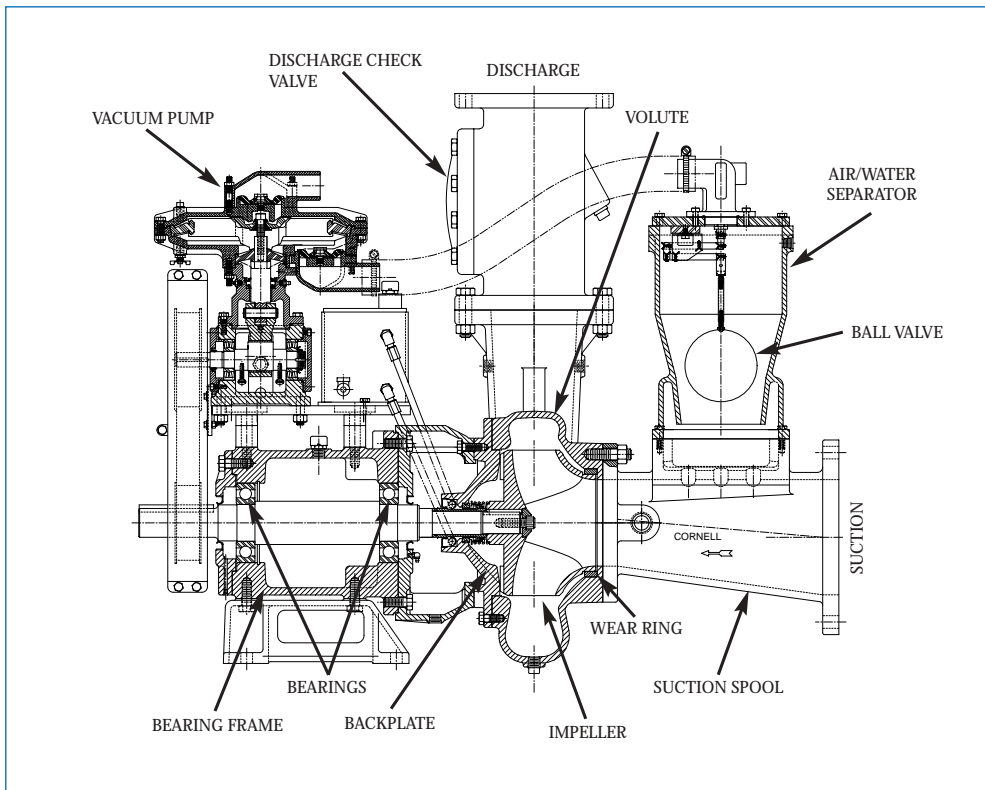


CORNELL PUMP COMPANY

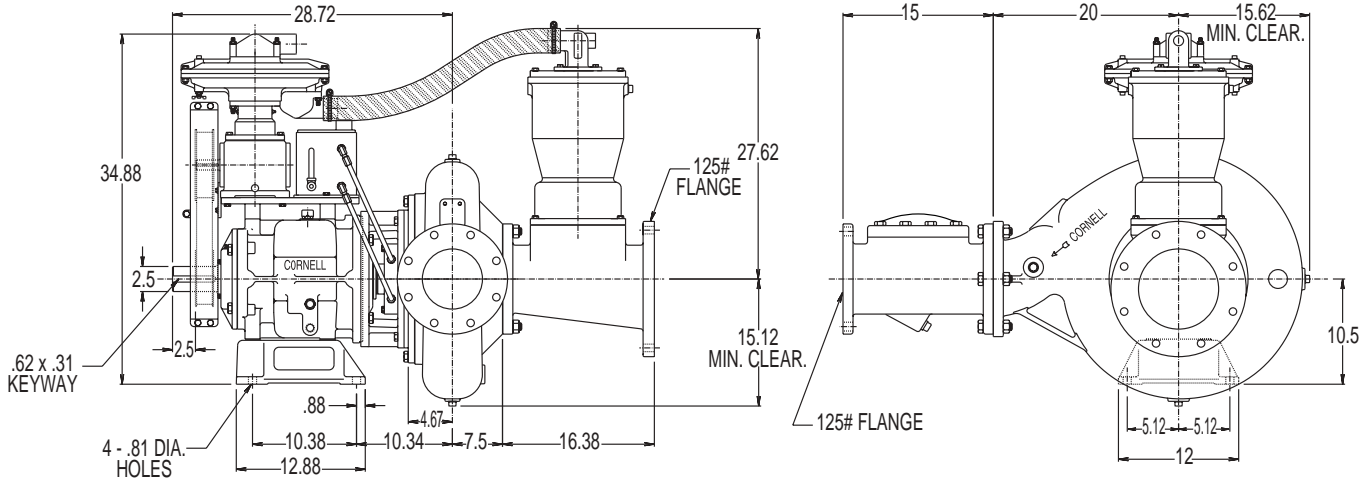
Model 6NHTB-F Redi-Prime®

PUMP SPECIFICATIONS

- **Size:** 6NHTB - 6" discharge x 10" suction with 125# cast iron flanges.
- **Casing:** Cast Iron.
- **Impeller:** Enclosed - 2 vane. Handles 3.38" diameter solids.
- **Wear Rings:** Replaceable. (Double wear rings available).
- **Seal:** Cornell's patented Cycloseal® design with Run-Dry oil lubrication system. John Crane T-2 single mechanical seal with Viton® elastomers, stainless steel hardware and tungsten- vs. silicon-carbide seal faces for abrasion resistance.
- **Check Valve:** SwingFlex® Val-Matic®.
- **Shaft Sleeve:** Heat treated 416 stainless steel.
- **Bearings:** Heavy duty, grease lubricated, deep groove ball bearings, with a minimum of 50,000 hours bearing life.
- **Hardware:** Stainless steel float linkage. A positive seating vacuum priming valve prevents water carry-over to the vacuum, pump or atmosphere.
- **Vacuum Pump** - 50 SCFM Maximum.



PUMP DIMENSIONS



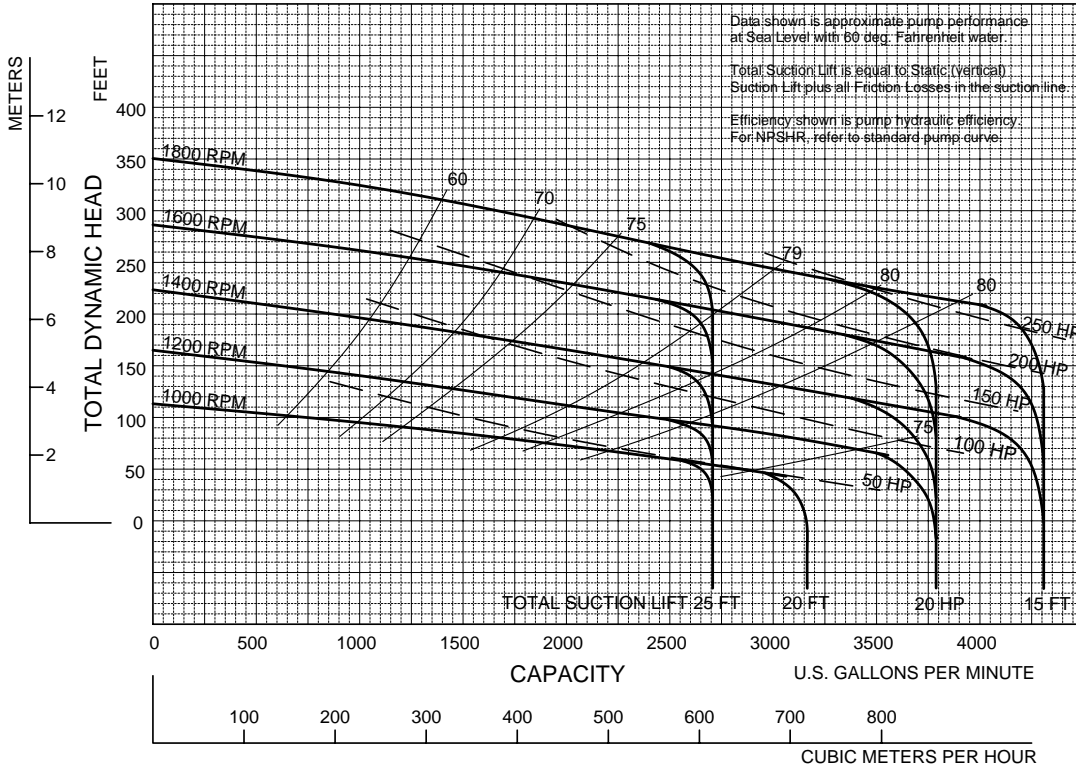
- NOTES:**
1. Frame mounting foot thickness is .75".
 2. Flange connection dimension can vary $\pm .12$ inch.
 3. Do not use for construction unless certified.

PERFORMANCE CURVES

Feet x .305 = Meters
 Inches x 25.4 = Millimeters
 GPM x .227 = Cubic Meters/Hour
 GPM x 3.785 = Liters/Minute
 HP x .746 = KW

Speed	Impeller Dia.	Style	Solids Dia.	N _S	Suction	Discharge	No. vanes
VARIOUS	17.50"	ENCLOSED	3.38"	1880	10"	6"	2

SINGLE VOLUTE MOUNTING CONFIG.: F, EM



Performances shown are for cool water.
 Add 1.5 HP for belt driven diaphragm
 frame mounted configuration with Cycloseal.[®]
 Other liquids, seal arrangements or mounting
 configurations may require performance
 adjustments.

Data shown is approximate pump performance
 at Sea Level with 60 deg. Fahrenheit water.
 Total Suction Lift is equal to Static (vertical)
 Suction Lift plus all Friction Losses in the suction line.
 Efficiency shown is pump hydraulic efficiency.
 For NPSHR, refer to standard pump curve.

Cornell Pump Company

P.O. Box 6334 • Portland, Oregon 97228-6334

Web: www.cornellpump.com • Phone (503) 653-0330 • Fax (503) 653-0338

ISO9001: 2000 CERTIFIED