



AVAILABLE MOUNTING CONFIGURATIONS	
2STH-F FRAME MOUNT	
2STH-EM ENGINE MOUNT	

OPERATING LEVELS		
MIN FLOW	50 GPM	11.5 m <sup>3</sup> /h
MAX FLOW	490 GPM	112.7 m <sup>3</sup> /h
DISCHARGE SIZE	2"	50 mm
SUCTION SIZE	3"	75 mm
SOLIDS HANDLING	1.5"	3.8 mm
MAX SPEED	2950 RPM	2950 RPM
SHUT-OFF HEAD	188'	57.3 m
BEP HEAD	132'	40.2 m
BEP FLOW	320 GPM	73.6 m <sup>3</sup> /h
BEP PERCENT	49%	49%

PARTS	STANDARD MATERIAL (ALL IRON)
VOLUTE CASING	DUCTILE IRON, ASTM A536, 65-45-12
IMPELLER	DUCTILE IRON, ASTM A536, 100-70-03
IMPELLER SCREW	304 STAINLESS STEEL
BACKPLATE/BACKET	DUCTILE IRON, ASTM A536, 65-45-12
WEAR PLATE	MILD STEEL
BEARING FRAME	DUCTILE IRON, ASTM A536
SHAFT	17-4 PH STAINLESS STEEL
SHAFT SLEEVE	304 STAINLESS STEEL
FASTENERS	GRADE 5 STEEL
MECHANICAL SEAL	SILICON CARBIDE vs. SILICON CARBIDE, TYPE 2



A typical picture of the pump is shown. Please contact Cornell Pump Company for further details. All information is approximate and for general guidance only.

### HIGH-HEAD SELF-PRIMER

Cornell's self-priming pump, with industry-leading efficiency, runs several efficiency points higher than other manufacturers. Features patented Cycloseal<sup>®</sup> system and uniquely designed volute for best performance, with a 3" suction and 2" discharge.

- FIVE-YEAR warranty
- Optional self-cleaning wear plate
- Modular bearing frame
- Cornell's Cycloseal<sup>®</sup> with type 2 seal
- Dual protection of bearings with external seal leakage monitor (vent to atmosphere)
- High Heads up to 180'

- High-efficiency design
- Oversized oil reservoir for better cooling
- Replaceable shaft sleeve
- Heavy-duty ductile iron construction
- Designed for SAE conversion
- High RPM Capability



AGRICULTURE



FOOD



INDUSTRIAL



MINING



MUNICIPAL



OIL & GAS



REFRIGERATION

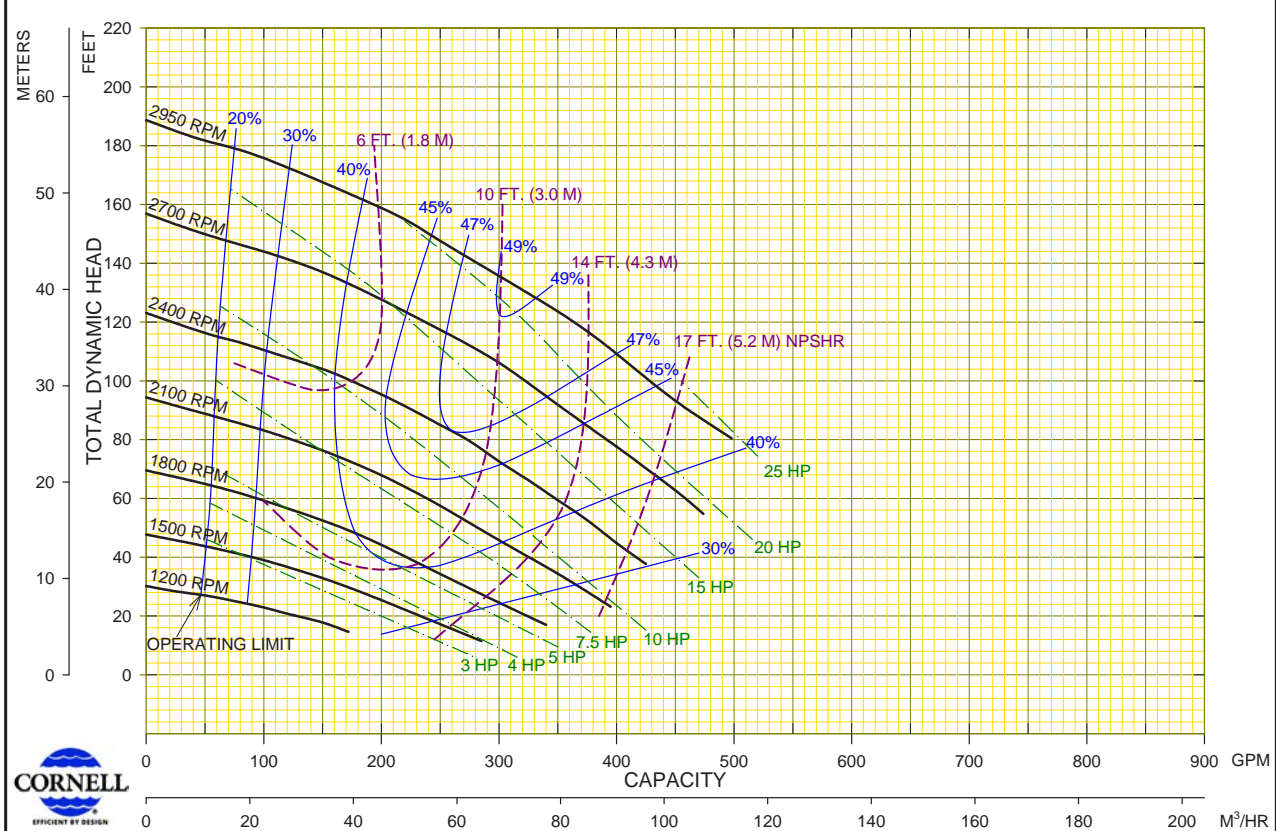


RENTAL



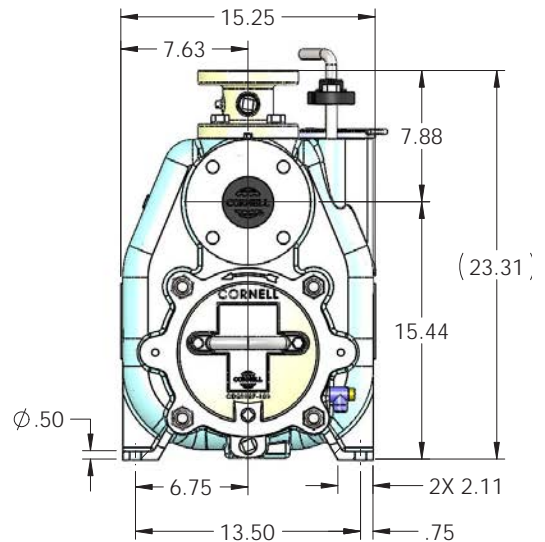
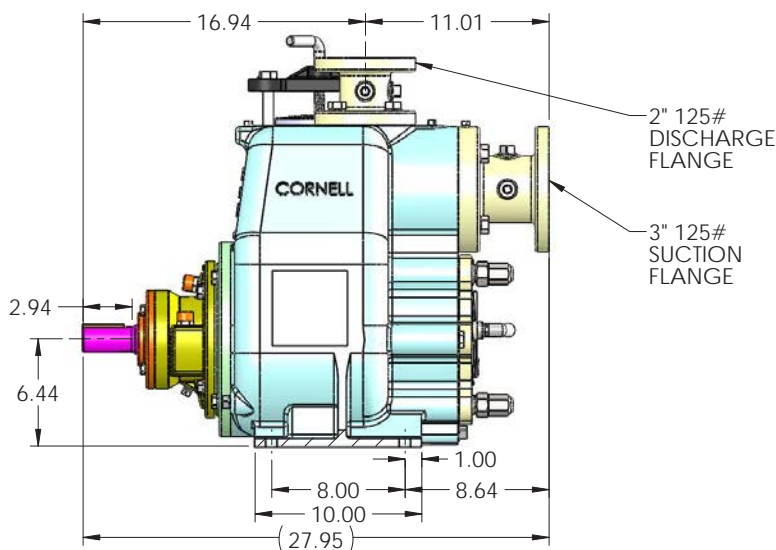
# DATA SHEET 2STH

Performances shown are for S.G. 1.0 60°F water, close-coupled configuration. Other mounting styles or S.G. may require curve adjustments.	Speed	Impeller Dia.	Style	Volute	Solids Dia.	N <sub>s</sub>	Suction	Discharge	No. Vanes
	VARIOUS	8.00"	SEMI-OPEN	SINGLE	1.5"	1330	3"	2"	2



Cornell Pump Company • Clackamas, Oregon

02	03/23/15	CTG	MODEL: 2STH	CURVE NO:
00	01/14/14	AE	TYPE: SELF PRIMING	2STHVA



DS8STL-140826-P