



# CORNELL PUMP COMPANY

## W and Y Series Hot Oil

### STANDARD SPECIFICATION

**Sizes Available:**

- 1W-5WBH
- 1.25Y-10YB

**Discharge Size** - 1-10 inch

**Mounting Configuration** - horizontal frame

**Casing** - cast iron ASTM A48, class 30

**Wear Rings** - cast iron ASTM A48, class 30

**Impeller** - cast iron ASTM A48, class 30

**Suction Cover** - cast iron ASTM A48, class 30

**Backplate** - cast iron ASTM A48, class 30

**Shaft Sleeve** - stainless steel, AISI 416

**Shaft** - SAE 1144 Stressproof®

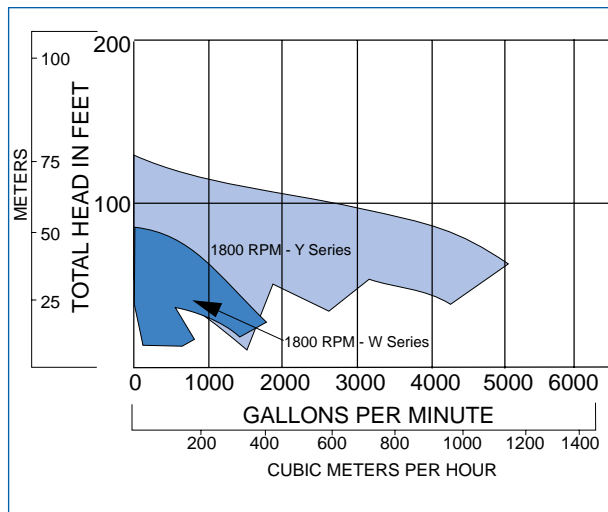
**Sealing Arrangement** - standard type "715" with "L" seat and product flush line. Water cooled gland available.



Typical Base Mounted Hot Oil Pump  
(4RB-F16K)

### FEATURES & BENEFITS

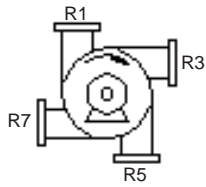
- All iron construction for uniform thermal expansion (Ductile iron and 316 SS construction also available)
- Double volute for balanced radial forces, extending bearing and seal life
- External balance line (2.5" & larger) for lower seal box pressure, particle removal, and reduced axial loading
- Vapor suppression line to help eliminate flushing of water entrained oil (2.5" & larger)
- Hydrostatic pressure test
- Oil lubricated bearing frames with Viton lip seals for extended service life
- All teflon closure seals
- Two year warranty



W and Y Series map at 1800 RPM

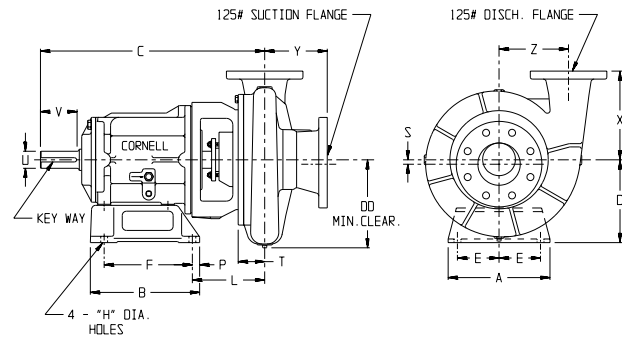
### TYPICAL APPLICATIONS

- Hot cooking oil transfer
- Heat transfer fluid
- Hydraulic oils
- Chemical and petroleum oil transfer



Discharge positions viewed from drive end.

Consult factory for availability of other discharge positions.



### PUMP DIMENSIONS - W Series

Model	Frame	Connection			A	B	C	D	DD	E	F	H	L	P	S	T	U	V	X	Y	Z	Keyway
		Disch.	Suct.	Type																		
1W	F5	1	2	THRD	7.50	7.30	18.88	5.50	5.62	2.62	4.50	0.56	8.94	1.38	-	2.88	1.25	3.00	5.75	3.16	4.00	.25 x .12
1.25W	F5	1.25	1.5	THRD	7.50	7.30	18.50	5.50	5.75	2.62	4.50	0.56	8.56	1.38	-	2.50	1.25	3.00	4.06	3.47	3.75	.25 x .12
1.5W	F5	1.5	2	THRD	7.50	7.30	18.50	5.50	6.38	2.62	4.50	0.56	8.56	1.38	-	2.50	1.25	3.00	5.00	3.53	4.50	.25 x .12
2W	F5	2	2.5	THRD	7.50	7.30	18.62	5.50	6.38	2.62	4.50	0.56	8.69	1.38	-	2.62	1.25	3.00	5.12	3.91	4.12	.25 x .12
2.5WB	F5	2.5	3	FLG	7.50	7.30	18.62	5.50	6.25	2.62	4.50	0.56	8.69	1.38	-	2.62	1.25	3.00	5.69	4.28	4.38	.25 x .12
3WB	F5	3	4	FLG	7.50	7.30	18.62	5.50	6.50	2.62	4.50	0.56	8.69	1.38	-	2.62	1.25	3.00	6.00	4.75	4.50	.25 x .12
3WO	F5	3	4	FLG	7.50	7.30	18.62	5.50	6.50	2.62	4.50	0.56	8.69	1.38	-	2.62	1.25	3.00	6.00	4.78	4.50	.25 x .12
4WB	F16	4	5	FLG	12.00	12.88	26.00	9.75	7.50	5.12	10.38	0.81	8.12	0.88	-	2.75	2.00	4.50	7.50	5.03	4.75	.50 x .25
5WB	F16	5	6	FLG	12.00	12.88	27.88	9.75	9.00	5.12	10.38	0.81	10.00	0.88	0.50	2.38	2.00	4.50	9.75	6.66	5.50	.50 x .25
5WBH	F16	5	8	FLG	12.00	12.88	26.97	9.75	12.38	5.12	10.38	0.81	9.09	0.88	0.44	3.72	2.00	4.50	7.75	10.28	7.88	.50 x .25

### PUMP DIMENSIONS - Y Series

Model	Frame	Connection			A	B	C	D	DD	E	F	H	L	P	S	T	U	V	X	Y	Z	Keyway
		Disch.	Suct.	Type																		
1.25Y	F5	1.25	2	THRD	7.50	7.30	18.62	5.50	7.38	2.62	4.50	0.56	8.69	1.38	-	2.62	1.25	3.00	5.75	3.50	5.38	.25 x .12
1.5Y	F5	1.5	2	THRD	7.50	7.30	18.62	5.50	7.38	2.62	4.50	0.56	8.69	1.38	-	2.62	1.25	3.00	6.50	3.50	5.50	.25 x .12
2Y	F5	2	2.5	THRD	7.50	7.30	18.62	5.50	6.38	2.62	4.50	0.56	8.56	1.38	-	2.50	1.25	3.00	5.00	3.53	4.50	.25 x .12
2.5YHB	F5	2.5	3	FLG	7.50	7.30	19.31	5.50	8.12	2.62	4.50	0.56	8.69	1.38	-	2.62	1.25	3.00	7.50	4.28	5.62	.25 x .12
2.5YHB	F16	2.5	3	FLG	12.00	12.88	25.88	9.75	8.12	5.12	10.38	0.81	8.00	0.88	-	2.62	2.00	4.50	7.50	4.28	5.62	.50 x .25
3YB	F5	3	4	FLG	7.50	7.30	19.06	5.50	8.50	2.62	4.50	0.56	9.12	1.38	-	2.38	1.25	3.00	7.00	5.38	6.50	.25 x .12
3YB	F16	3	4	FLG	12.00	12.88	27.88	9.75	8.50	5.12	10.38	0.81	10.00	0.88	-	2.38	2.00	4.50	7.00	5.38	6.50	.50 x .25
4YB	F5	4	6	FLG	7.50	7.30	19.56	5.50	9.00	2.62	4.50	0.56	9.62	1.38	0.69	2.88	1.25	3.00	8.75	6.09	6.12	.25 x .12
4YB	F16	4	6	FLG	12.00	12.88	28.38	9.75	9.00	5.12	10.38	0.81	10.50	0.88	0.69	2.88	2.00	4.50	8.75	6.09	6.12	.50 x .25
5YB	F16	5	8	FLG	12.00	12.88	28.88	9.75	11.62	5.12	10.38	0.81	11.00	0.88	1.38	3.38	2.00	4.50	10.50	9.00	7.50	.50 x .25
5YBH	F16	5	8	FLG	12.00	12.88	26.97	9.75	13.12	5.12	10.38	0.81	9.09	0.88	0.44	3.72	2.00	4.50	8.00	10.28	9.00	.50 x .25
6YB	F16	6	10	FLG	12.00	12.88	29.69	9.75	14.75	5.12	10.38	0.81	11.81	0.88	1.00	4.31	2.00	4.50	9.50	10.41	9.50	.50 x .25
6YB	F18/F18DB	6	10	FLG	12.00	12.88	30.69	10.50	14.75	5.12	10.38	0.81	12.31	0.88	1.00	4.31	2.50	4.50	9.50	10.41	9.50	.62 x .31
10YB	F18/F18DB	10	10	FLG	12.00	12.88	30.75	10.50	18.25	5.12	10.38	0.81	12.38	0.88	-	4.38	2.50	4.50	11.00	10.66	12.50	.62 x .31

**Cornell Pump Company**  
 PO Box 6334  
 Portland, Oregon 97228-6334  
 Phone: (503) 653-0330 Fax: (503) 653-0338  
 web site: [www.cornellpump.com](http://www.cornellpump.com)  
 e-mail: [info@cornellpump.com](mailto:info@cornellpump.com)