



CORNELL PUMP COMPANY

R and H Series Hot Oil

STANDARD SPECIFICATION

Sizes Available:

- 2.5RB-10RB
- 2.5H-8H

Discharge Size - 2.5 - 10 inch

Mounting Configuration - horizontal frame

Casing - cast iron ASTM A48, class 30

Wear Rings - cast iron ASTM A48, class 30

Impeller - cast iron ASTM A48, class 30

Backplate - cast iron ASTM A48, class 30

Shaft Sleeve - stainless steel, AISI 416

Shaft - SAE 1144 Stressproof®

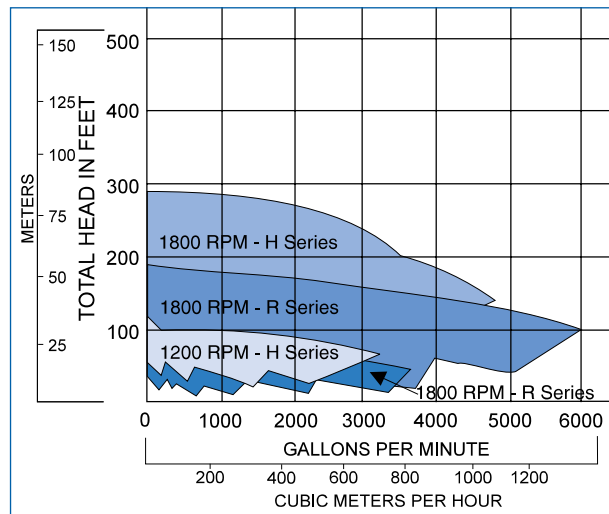
Sealing Arrangement - standard type "715" with "L" seat and product flush line. Water cooled gland and patented Cycloseal™ (#5489187) available.



Typical Base Mounted Hot Oil Pump
(4RB-F16K)

FEATURES & BENEFITS

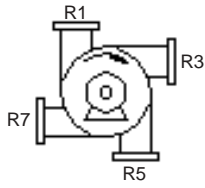
- All iron construction for uniform thermal expansion (Ductile iron and 316 SS construction also available)
- Double volute for balanced radial forces, extending bearing and seal life
- External balance line for lower seal box pressure, particle removal, and reduced axial loading
- Vapor suppression line to help eliminate flushing of water entrained oil
- Hydrostatic pressure test
- Oil lubricated bearing frames with Viton lip seals for extended service life
- All teflon closure seals
- Two year warranty



R and H Series map at 1800 and 1200 RPM

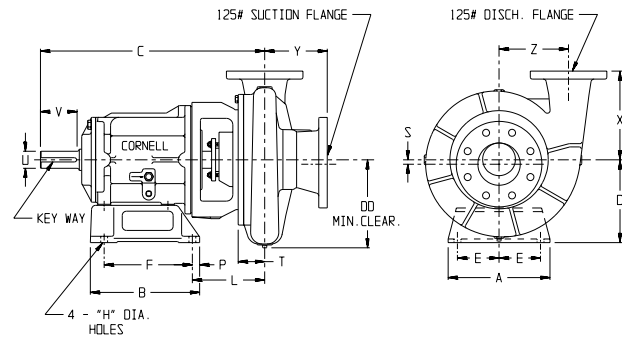
TYPICAL APPLICATIONS

- Hot cooking oil transfer
- Heat transfer fluid
- Hydraulic oils
- Chemical and petroleum oil transfer



Discharge positions viewed from drive end.

Consult factory for availability of other discharge positions.



PUMP DIMENSIONS - R Series

Model	Frame	Disch.	Suct.	A	B	C	D	DD	E	F	H	L	P	S	T	U	V	X	Y	Z	Keyway
2.5RB	F16	2.5	4	12.00	12.88	25.50	9.75	8.88	5.12	10.38	0.81	7.62	0.88	-	2.25	2.00	4.50	9.75	6.00	6.75	.50 x .25
3RB	F16	3	5	12.00	12.88	25.62	9.75	10.00	5.12	10.38	0.81	7.75	0.88	-	2.38	2.00	4.50	8.50	5.25	7.75	.50 x .25
4RB	F16	4	6	12.00	12.88	25.75	9.75	10.88	5.12	10.38	0.81	7.88	0.88	-	2.50	2.00	4.50	10.00	7.38	8.00	.50 x .25
5RB	F16	5	8	12.00	12.88	28.62	9.75	14.25	5.12	10.38	0.81	10.75	0.88	0.88	3.25	2.00	4.50	11.00	9.78	10.00	.50 x .25
5RB	F18/F18DB	5	8	12.00	12.88	29.62	10.50	14.25	5.12	10.38	0.81	11.25	0.88	0.88	3.25	2.50	4.50	11.00	9.78	10.00	.62 x .31
6RB	F18/F18DB	6	10	12.00	12.88	30.06	10.50	15.62	5.12	10.38	0.81	11.69	0.88	1.00	3.69	2.50	4.50	11.00	9.91	9.50	.62 x .31
10RB	F18/F18DB	10	10	12.00	12.88	30.69	10.50	19.12	5.12	10.38	0.81	12.31	0.88	-	4.31	2.50	4.50	14.00	10.50	12.00	.62 x .31

PUMP DIMENSIONS - H Series

Model	Frame	Disch.	Suct.	A	B	C	D	DD	E	F	H	L	P	S	T	U	V	X	Y	Z	Keyway
2.5H	F16	2.5	4	12.00	12.88	27.91	9.75	9.62	5.12	10.38	0.81	10.03	0.88	0.44	2.41	2.00	4.50	11.00	8.28	7.75	.50 x .25
3HA	F16	3	6	12.00	12.88	28.09	9.75	11.12	5.12	10.38	0.81	10.22	0.88	0.44	2.72	2.00	4.50	10.00	8.53	8.50	.50 x .25
3HA	F18/F18DB	3	6	12.00	12.88	29.09	10.50	11.12	5.12	10.38	0.81	10.72	0.88	0.44	2.72	2.50	4.50	10.00	8.53	8.50	.62 x .31
4HS	F16	4	6	12.00	12.88	28.03	9.75	11.50	5.12	10.38	0.81	10.16	0.88	0.44	2.66	2.00	4.50	12.50	8.53	9.12	.50 x .25
4HS	F18/F18DB	4	6	12.00	12.88	29.03	10.50	11.50	5.12	10.38	0.81	10.66	0.88	0.44	2.66	2.50	4.50	12.50	8.53	9.12	.62 x .31
4HH	F16	4	6	12.00	12.88	28.12	9.75	14.88	5.12	10.38	0.81	10.25	0.88	0.44	2.75	2.00	4.50	9.50	8.97	11.25	.50 x .25
4HH	F18/F18DB	4	6	12.00	12.88	29.12	10.50	14.88	5.12	10.38	0.81	10.75	0.88	0.44	2.75	2.50	4.50	9.50	8.97	11.25	.62 x .31
5H	F16	5	8	12.00	12.88	28.16	9.75	14.62	5.12	10.38	0.81	10.28	0.88	0.88	2.78	2.00	4.50	13.00	9.66	11.62	.50 x .25
5H	F18/F18DB	5	8	12.00	12.88	29.16	10.50	14.62	5.12	10.38	0.81	10.78	0.88	0.88	2.78	2.50	4.50	13.00	9.66	11.62	.62 x .31
5HH	F16	5	8	12.00	12.88	29.81	9.75	16.25	5.12	10.38	0.81	11.44	0.88	0.44	3.44	2.00	4.50	11.00	10.53	10.25	.50 x .25
5HH	F18/F18DB	5	8	12.00	12.88	29.81	10.50	16.25	5.12	10.38	0.81	11.44	0.88	0.44	3.44	2.50	4.50	11.00	10.53	10.25	.62 x .31
6H	F18/F18DB	6	8	12.00	12.88	29.12	10.50	14.75	5.12	10.38	0.81	10.75	0.88	0.44	2.75	2.50	4.50	13.00	10.16	11.62	.62 x .31
6HH	F18/F18DB	6	8	12.00	12.88	30.12	10.50	17.12	5.12	10.38	0.81	11.75	0.88	0.44	3.75	2.50	4.50	12.00	10.41	12.00	.62 x .31
8H	F18/F18DB	8	10	12.00	12.88	30.38	10.50	16.75	5.12	10.38	0.81	12.00	0.88	0.75	4.00	2.50	4.50	13.00	10.41	11.50	.62 x .31

Cornell Pump Company
 PO Box 6334
 Portland, Oregon 97228-6334
 Phone: (503) 653-0330 Fax: (503) 653-0338
 web site: www.cornellpump.com
 e-mail: info@cornellpump.com