



CORNELL PUMP COMPANY

Y Series - Vertical Close Coupled

STANDARD SPECIFICATION

Sizes Available: 2.5YHB, 3YB, 4YB, 5YB, 5YBH, 6YB, 10YB

Discharge Size - 1.25 inch - 10 inch

Casing - cast iron ASTM A48, Class 30

Wear Rings - bronze SAE 660

Impeller - bronze SAE 40, enclosed style

Backplate - cast iron ASTM A48, Class 30

Shaft Sleeve - bronze SAE 660

Sealing Arrangement - packing

Other materials of construction and sealing options available.



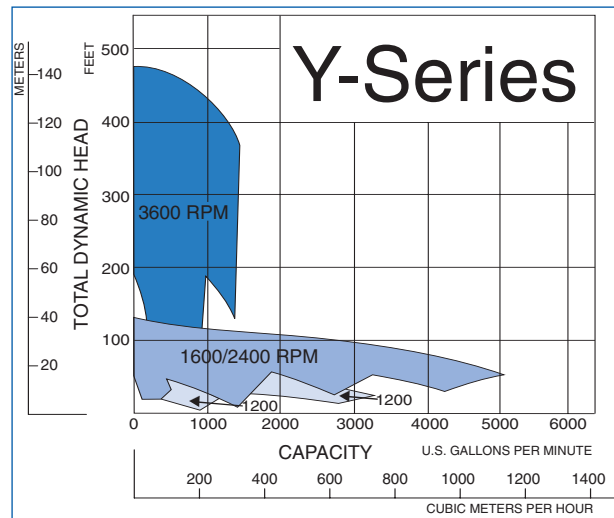
FEATURES AND BENEFITS

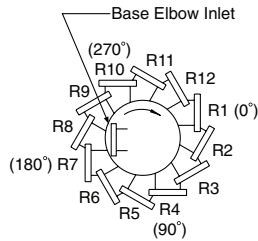
- Suited for small to large capacity (GPM) with medium head (pressure)
- Flows to 5400 GPM
- Pressures to 450 TDH
- Standard cast iron, bronze fitted construction
- External hydraulic balance line on flanged units
- Back pullout
- Double volute (standard on 5" and larger)
- High efficiency hydraulics
- Low operating cost
- Two year warranty

TYPICAL APPLICATIONS

- | | | | | |
|----------------------|----------------------|----------------------|-----------------------|----------------------|
| • Aquaculture | • Dow therm trans | • Gun system | • Linear | • Surface irrigation |
| • Boiler feed | • Drip irrigation | • Grey water | • Log pile irrigation | • Tail water return |
| • Brine | • Dust reduction | • Hard hose traveler | • Micro spray | • Turf |
| • Chilled water | • End gun booster | • Hot cooking oil | • Mining | • Water |
| • Condenser spray | • Flood irrigation | • Impact sprinkler | • Petroleum | • Water booster |
| • Construction | • Food plant process | • Industrial process | • Pivot | • Water transfer |
| • Cooling tower | • Frost protection | • Industrial sludge | • Power plant | • Wheel line |
| • Dewatering systems | • Glycol | • Industrial waste | • Pulp and paper | |
| | • Golf course | • Irrigation | • Storm water | |

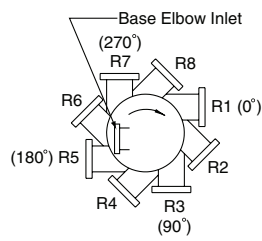
Cycloseal® (patent #5489187)





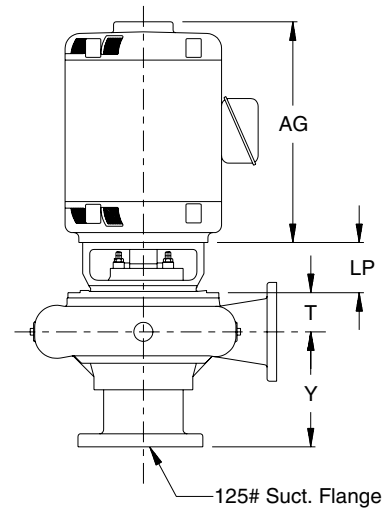
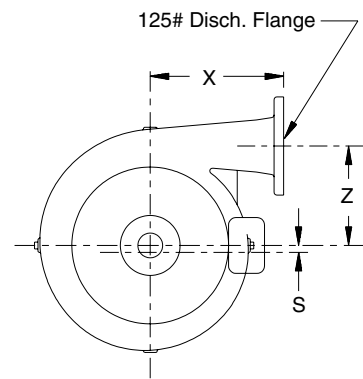
Discharge positions viewed from top end

6YB and 10YB discharge positions are in 30° increments.



Discharge positions viewed from top end

2.5YHB use positions R1, R3, R5, R7 only.



Do not use for construction unless certified.
Flange connection dimension can vary $\pm .12$ inch.

PUMP DIMENSIONS

Model	Disch.	Suct.	S	T	X	Y	Z	LP
2.5YHB	2.5	3	-	2.62	7.50	4.28	5.62	5.25 (A)
3YB	3	4	-	2.38	7.00	5.38	6.50	5.25 (A)
4YB	4	6	0.69	2.88	8.75	6.09	6.12	5.25 (B)
5YB	5	8	1.38	3.38	10.50	9.00	7.50	7.50
5YBH	5	8	0.44	3.72	8.00	10.28	9.00	5.25
6YB	6	10	1.00	4.31	9.50	10.41	9.50	7.38
10YB	10	10	-	4.38	11.00	10.66	12.50	7.38

- (A) For 326 and larger motor frame, LP = 8.25
- (B) For 326 and larger motor frame, LP = 7.50

MOTOR DIMENSIONS

NEMA FRAME	AG
182	11.00
184	12.00
213	16.00
215	17.50
254	20.75
256	22.50
284	22.69
286	24.19
324	24.56
326	26.06
364	26.00
365	26.00
404	28.81
405	28.81
404	33.00
405	33.00

"AG" dimension is for ODP motors and is approximate and may vary depending on manufacturer.

For 125# flange dimensions, see insert sheet ("American National Standard Institute Standards For Cast Iron Pipe Flanges").

For base elbow dimensions, see insert sheet ("Rubber Disc Drive, SAE Bell Housing, Coupling Projection Dimension").

For motor frame size, see insert sheet (Motor Frame Selection Guide").

Cornell Pump Company
P.O. Box 6334
Portland, Oregon 97228-6334
e-mail: info@cornellpump.com
Phone (503) 653-0330 • Fax (503) 653-0338

CERTIFIED TO ISO 9001:2000