



CORNELL PUMP COMPANY

Y Series - Horizontal Close Coupled

STANDARD SPECIFICATION

Sizes Available: 1.25Y, 1.5Y, 2Y, 2.5YHB, 3YB, 4YB, 5YB, 5YBH, 6YB, 10YB

Discharge Size - 1.25 inch - 10 inch

Casing - cast iron ASTM A48, Class 30

Wear Rings - bronze SAE 660

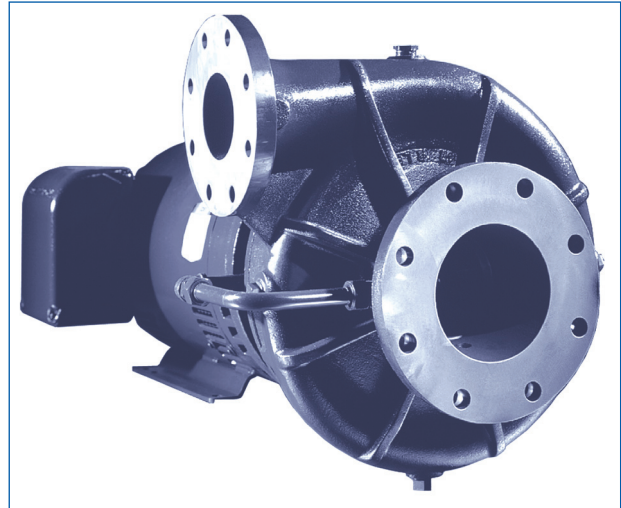
Impeller - bronze SAE 40, enclosed style

Backplate - cast iron ASTM A48, Class 30

Shaft Sleeve - bronze SAE 660

Sealing Arrangement - packing

Other materials of construction and sealing options available.



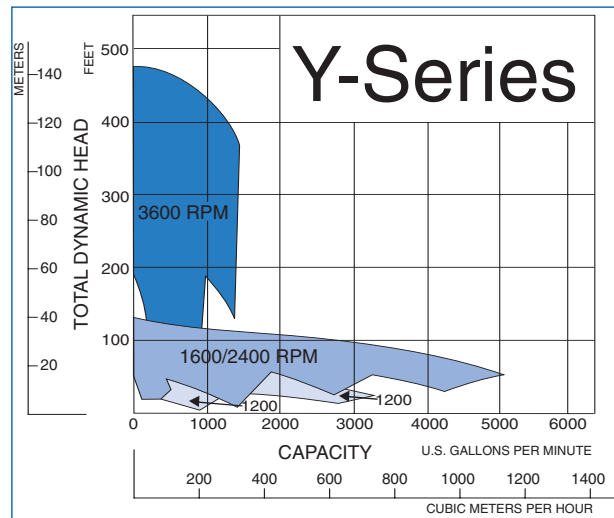
FEATURES AND BENEFITS

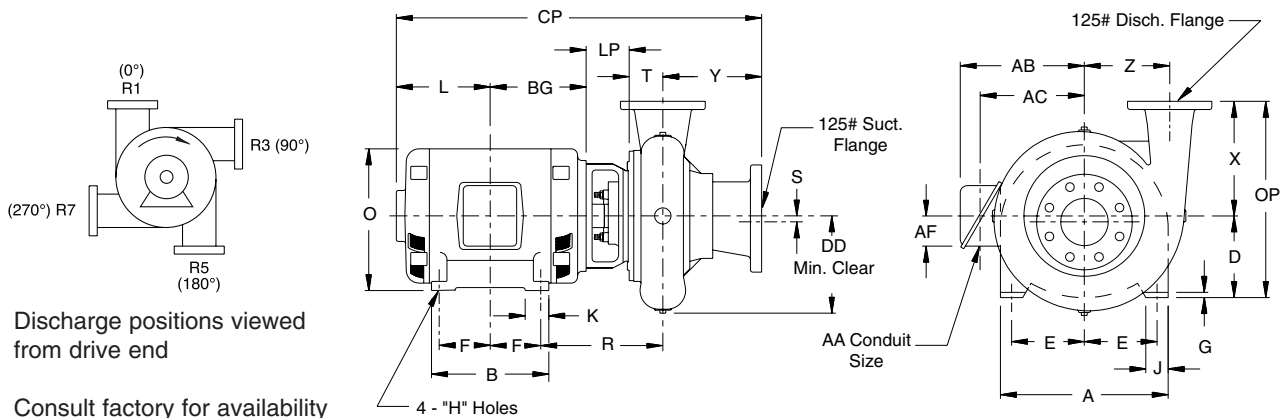
- Suited for small to large capacity (GPM) with medium head (pressure)
- Flows to 5400 GPM/1225 CuM/Hr
- Pressures to 450 TDH/ 137 M
- Standard cast iron, bronze fitted construction
- External hydraulic balance line on flanged units
- Back pullout
- Double volute (standard on 5" and larger)
- High efficiency hydraulics
- Low operating cost
- Two year warranty

TYPICAL APPLICATIONS

- | | | | | |
|----------------------|----------------------|----------------------|-----------------------|----------------------|
| • Aquaculture | • Dow therm trans | • Golf course | • Irrigation | • Storm water |
| • Boiler feed | • Drip irrigation | • Gun system | • Linear | • Surface irrigation |
| • Brine | • Dust reduction | • Grey water | • Log pile irrigation | • Tail water return |
| • Chilled water | • End gun booster | • Hard hose traveler | • Micro spray | • Turf |
| • Condenser spray | • Flood irrigation | • Hot cooking oil | • Mining | • Water |
| • Construction | • Food plant process | • Impact sprinkler | • Petroleum | • Water booster |
| • Cooling tower | • Frost protection | • Industrial process | • Pivot | • Water transfer |
| • Dewatering systems | • Glycol | • Industrial sludge | • Power plant | • Wheel line |
| | | • Industrial waste | • Pulp and paper | |

Cycloseal® (patent #5489187)





Discharge positions viewed from drive end

Consult factory for availability of other discharge positions.

Dimensions CP, OP, and R can be determined after selection of pump and motor.

For 125# flange dimensions, see insert sheet ("American National Standard Institute Standards For Cast Iron Pipe Flanges").

PUMP DIMENSIONS

Model	Connection		DD	S	T	X	Y	Z	LP
	Disch.	Suct. Type							
1.25Y	1.25	2 THRD.	7.38	-	2.62	5.75	3.50	5.38	5.38
1.5Y	1.5	2 THRD.	7.38	-	2.62	6.50	3.50	5.50	5.38
2Y	2	2.5 THRD.	7.75	-	2.62	5.75	4.00	5.75	5.38
2.5YHB	2.5	3 FLG.	8.12	-	2.62	7.50	4.28	5.62	5.25 (A)
3YB	3	4 FLG.	8.50	-	2.38	7.00	5.38	6.50	5.25
4YB	4	6 FLG.	9.00	0.69	2.88	8.75	6.09	6.12	5.25 (B)
5YB	5	8 FLG.	11.62	1.38	3.38	10.50	9.00	7.50	7.50
5YBH	5	8 FLG.	13.12	0.44	3.72	8.00	10.28	9.00	5.25
6YB	6	10 FLG.	14.75	1.00	4.31	9.50	10.41	9.50	7.38
10YB	10	10 FLG.	18.25	-	4.38	11.00	10.66	12.50	7.38

Do not use for construction unless certified. Flange connection dimension can vary ± .12 inch.

(A) For 326T and larger motor frame, LP = 8.25
(B) For 326T and larger motor frame, LP = 7.50

MOTOR DIMENSIONS

NEMA FRAME	A	B	D	E	F	G	H	J	K	L	O	AA	AB	AC	AF	BG
182T	9.00	5.62	4.50	3.75	2.25	0.16	0.41	-	-	5.00	8.94	0.75	7.19	5.56	2.12	5.88
184T	9.00	6.62	4.50	3.75	2.75	0.16	0.41	-	-	5.50	8.94	0.75	7.19	5.56	2.12	6.38
213T	10.50	7.00	5.25	4.25	2.75	0.16	0.41	-	-	6.06	10.31	0.75	7.94	6.31	2.12	7.25
215T	10.50	8.50	5.25	4.25	3.50	0.16	0.41	-	-	6.81	10.31	0.75	7.94	6.31	2.12	8.00
254T	12.50	10.25	6.25	5.00	4.12	0.47	0.53	3.75	2.50	8.19	12.12	1.25	10.31	8.06	3.00	9.12
256T	12.50	12.00	6.25	5.00	5.00	0.47	0.53	3.75	2.50	9.06	12.12	1.25	10.31	8.06	3.00	10.00
284T	14.00	11.50	7.00	5.50	4.75	0.44	0.53	3.38	2.50	9.31	13.88	1.50	11.31	9.06	3.00	9.75
286T	14.00	13.00	7.00	5.50	5.50	0.44	0.53	3.38	2.50	10.06	13.88	1.50	11.31	9.06	3.00	10.50
324T	16.00	12.25	8.00	6.25	5.25	0.44	0.66	4.00	2.50	10.25	15.88	2.00	13.75	10.69	4.25	10.75
326T	16.00	13.75	8.00	6.25	6.00	0.44	0.66	4.00	2.50	11.00	15.88	2.00	13.75	10.69	4.25	11.50
364T	18.00	13.25	9.00	7.00	5.62	1.00	0.66	4.12	3.38	11.25	17.88	3.00	16.38	12.19	5.50	11.75
365T	18.00	14.25	9.00	7.00	6.12	1.00	0.66	4.12	3.38	11.75	17.88	3.00	16.38	12.19	5.50	12.25
404T	20.00	15.00	10.00	8.00	6.12	1.12	0.81	4.12	4.25	12.50	19.88	3.50	19.00	13.69	6.50	13.00
405T	20.00	16.50	10.00	8.00	6.88	1.12	0.81	4.12	4.25	13.25	19.88	3.50	19.00	13.69	6.50	13.75

Motor dimensions are for ODP motors and may vary depending on manufacturer. For motor frame size, see insert sheet ("Motor Frame Selection Guide").

Cornell Pump Company

P.O. Box 6334

Portland, Oregon 97228-6334

e-mail: info@cornellpump.com

Phone (503) 653-0330 • Fax (503) 653-0338

CERTIFIED TO ISO 9001:2000