



# CORNELL PUMP COMPANY

## Y Series - Engine Mounted

### STANDARD SPECIFICATION

**Sizes Available:** 3YB, 4YB, 5YBH, 6YB, 10YB

**Discharge Size** - 3 inch - 10 inch

**Casing** - cast iron ASTM A48, Class 30

**Wear Rings** - bronze SAE 660

**Impeller** - bronze SAE 40, enclosed style

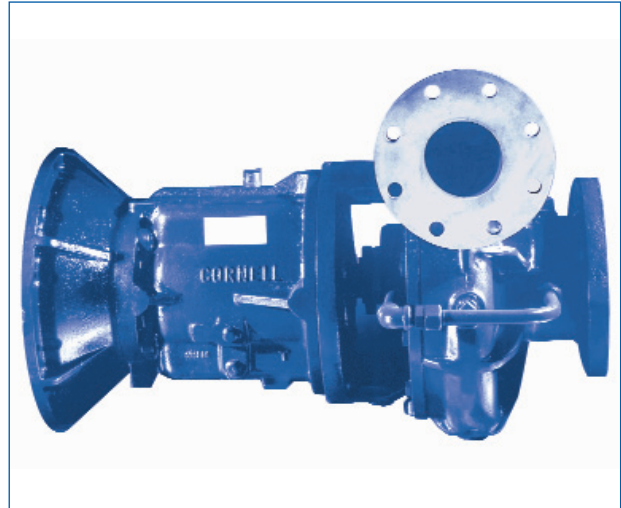
**Backplate** - cast iron ASTM A48, Class 30

**Shaft Sleeve** - bronze SAE 660

**Shaft** - SAE 1144 Stressproof®

**Sealing Arrangement** - packing

Other materials of construction and sealing options available.

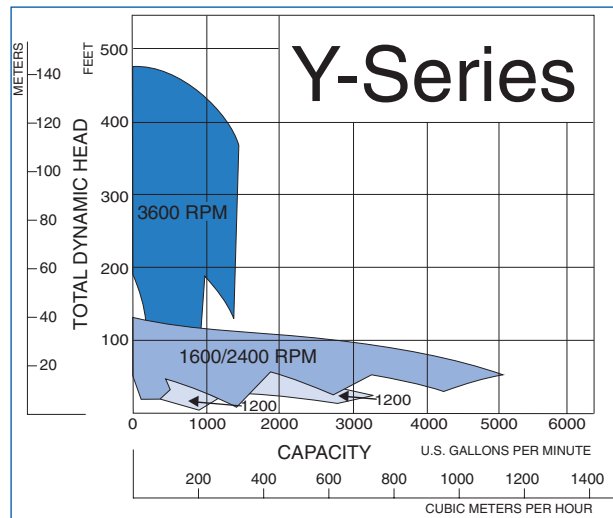


### FEATURES AND BENEFITS

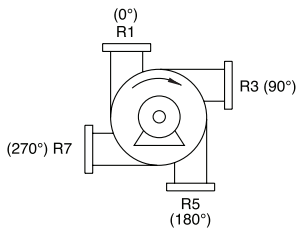
- Suited for small to large capacity (GPM) with medium head (pressure)
- Flows to 6750 GPM/1530 CuM/Hr
- Pressures to 450 TDH/137 M
- Standard cast iron, bronze fitted construction
- External hydraulic balance line on flanged units
- Back pullout
- Double volute (standard on 5" and larger)
- High efficiency hydraulics
- Low operating cost
- Two year warranty

### TYPICAL APPLICATIONS

- |                      |                       |                      |                  |
|----------------------|-----------------------|----------------------|------------------|
| • Aquaculture        | • Golf course         | • Micro spray        | • Water booster  |
| • Chilled water      | • Gun system          | • Mining             | • Water transfer |
| • Construction       | • Grey water          | • Pivot              | • Wheel line     |
| • Dewatering systems | • Hard hose traveler  | • Storm water        |                  |
| • Drip irrigation    | • Impact sprinkler    | • Surface irrigation |                  |
| • Dust reduction     | • Irrigation          | • Tail water return  |                  |
| • End gun booster    | • Linear              | • Turf               |                  |
| • Flood irrigation   | • Log pile irrigation | • Water              |                  |

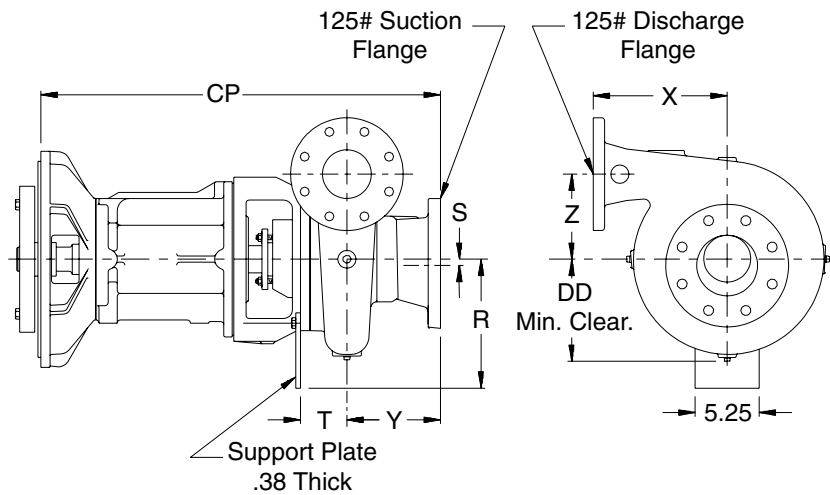


Stressproof® is a registered trademark of Niagara-LaSalle Steel.  
Cycloseal® (patent #5489187)



Discharge positions viewed from drive end

Consult factory for availability of other discharge positions.



For bellhousing and drive dimensions, see insert sheet ("Rubber Disc Drive, SAE Bell Housing, Coupling Projection Dimension").

For 125# flange dimensions, see insert sheet ("American National Standard Institute Standards For Cast Iron Pipe Flanges").

Do not use for construction unless certified.  
Flange connection dimension can vary  $\pm .12$  inch.

### PUMP DIMENSIONS

Model	Connection			X	Y	Z	S	DD	R	T	CP
	Disch.	Suct.	Type								
3YB - EM16	3.0	4.0	FLG.	7.00	5.38	6.50	-	7.62	11.47	-	31.25
4YB - EM16	4.0	6.0	FLG.	8.75	6.09	6.12	0.69	8.00	13.06	-	32.47
5YBH - EM16	5.0	8.0	FLG.	8.00	10.28	9.00	0.44	10.38	14.88	3.88	37.50
6YB - EM16	6.0	10.0	FLG.	9.50	10.41	9.50	1.00	11.50	15.50	4.44	38.09
6YB - EM18, EM18DB	6.0	10.0	FLG.	9.50	10.41	9.50	1.00	11.50	15.50	4.44	39.09
10YB - EM18, EM18DB	10.0	10.0	FLG.	12.50	10.66	12.50	-	15.50	15.50	4.44	39.41

For proper clutch sizes to SAE housing sizes, see insert sheet ("Rubber Disc Drive, SAE Bell Housing, Coupling Projection Dimension").

**Cornell Pump Company**  
P.O. Box 6334  
Portland, Oregon 97228-6334  
e-mail: info@cornellpump.com  
Phone (503) 653-0330 • Fax (503) 653-0338

CERTIFIED TO ISO 9001:2000