



CORNELL PUMP COMPANY

W Series - Vertical Close Coupled

STANDARD SPECIFICATION

Sizes Available: 2.5WB, 2.5WO, 3WB, 3WO, 4WB, 4WO, 5WB, 5WBH

Discharge Size - 1 inch - 5 inch

Casing - cast iron ASTM A48, Class 30

Wear Rings - bronze SAE 660

Impeller - bronze SAE 40

Backplate - cast iron ASTM A48, Class 30

Shaft Sleeve - bronze SAE 660

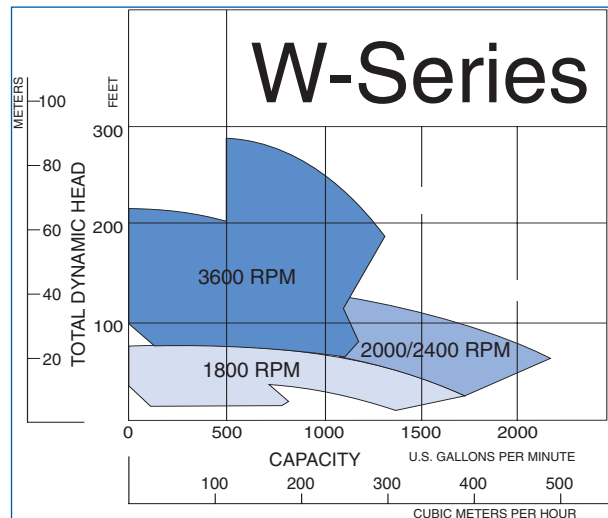
Sealing Arrangement - packing

Other materials of construction and sealing options available.



FEATURES AND BENEFITS

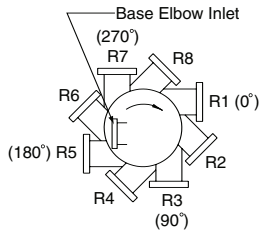
- Suited for small flow capacity (GPM) with medium head (pressure)
- Flows to 1900 GPM/430 CuM/Hr
- Pressures to 295 TDH/90 M
- Standard cast iron, bronze fitted construction
- External hydraulic balance line
- Back pullout
- Double volute (on 5WBH model only)
- High efficiency hydraulics
- Low operating cost
- Two year warranty



TYPICAL APPLICATIONS

- | | | | | |
|----------------------|----------------------|----------------------|-----------------------|----------------------|
| • Aquaculture | • Dow therm trans | • Golf course | • Irrigation | • Storm water |
| • Boiler feed | • Drip irrigation | • Gun system | • Linear | • Surface irrigation |
| • Brine | • Dust reduction | • Grey water | • Log pile irrigation | • Tail water return |
| • Chilled water | • End gun booster | • Hard hose traveler | • Micro spray | • Turf |
| • Condenser spray | • Flood irrigation | • Hot cooking oil | • Mining | • Water |
| • Construction | • Food plant process | • Impact sprinkler | • Petroleum | • Water booster |
| • Cooling tower | • Frost protection | • Industrial process | • Pivot | • Water transfer |
| • Dewatering systems | • Glycol | • Industrial sludge | • Power plant | • Wheel line |
| | | • Industrial waste | • Pulp and paper | |

Cycloseal® (patent #5489187)



Discharge positions viewed from top end

2.5WB and 2.5WO use positions R1, R3, R5, and R7 only.

Do not use for construction unless certified. Flange connection dimension can vary $\pm .12$ inch.

PUMP DIMENSIONS

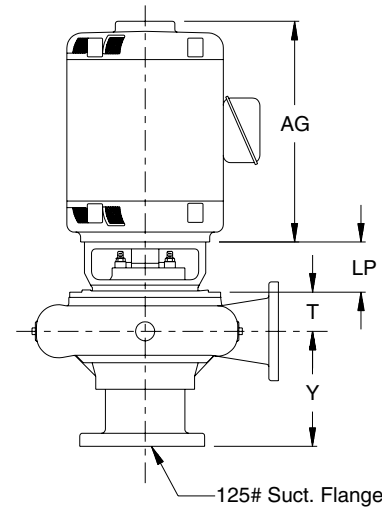
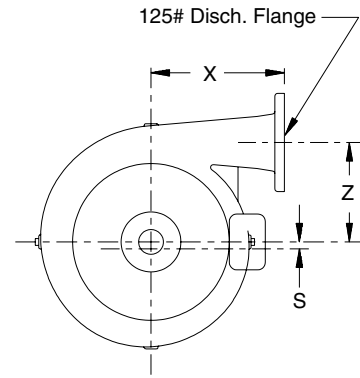
Model	Disch.	Suct.	S	T	X	Y	Z	LP
2.5WB	2.5	3	-	2.62	5.69	4.28	4.38	4.56 (A) (B)
2.5WO	2.5	3	-	2.62	5.69	4.28	4.38	4.56
3WB	3	4	-	2.62	6.00	4.75	4.50	5.38
3WO	3	4	-	2.62	6.00	4.78	4.50	5.38
4WB	4	5	-	2.75	7.50	5.03	4.75	5.25
4WO	4	5	-	2.75	7.50	5.09	4.75	5.25
5WB	5	6	0.50	2.38	9.75	6.66	5.50	5.25
5WBH	5	8	0.44	3.72	7.75	10.28	7.88	5.25 (C)

- (A) For 213 and larger motor frame, LP = 5.38
- (B) For 182 and larger motor frame at 4 pole speed, LP = 5.38
- (C) For 326 and larger motor frame, LP = 8.25

MOTOR DIMENSIONS

NEMA FRAME	AG
182	11.00
184	12.00
213	16.00
215	17.50
254	20.75
256	22.50
284	22.69
286	24.19
324	24.56
326	26.06
364	26.00
365	26.00
404	28.81
405	28.81
404	33.00
405	33.00

"AG" dimension is for ODP motors and is approximate and may vary depending on manufacturer.



For 125# flange dimensions, see insert sheet ("American National Standard Institute Standards For Cast Iron Pipe Flanges").

For base elbow dimensions, see insert sheet ("Rubber Disc Drive, SAE Bell Housing, Coupling Projection Dimension").

For motor frame size, see insert sheet ("Motor Frame Selection Guide").

Cornell Pump Company

P.O. Box 6334

Portland, Oregon 97228-6334

e-mail: info@cornellpump.com

Phone (503) 653-0330 • Fax (503) 653-0338

CERTIFIED TO ISO 9001:2000