



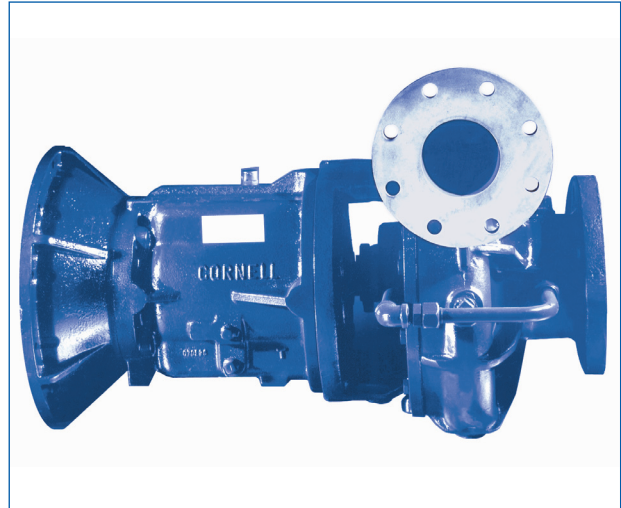
CORNELL PUMP COMPANY

W Series - Engine Mounted

STANDARD SPECIFICATION

Sizes Available: 4WB, 5WB, 5WBH
Discharge Size - 4 inch, 5 inch
Casing - cast iron ASTM A48, Class 30
Wear Rings - bronze SAE 660
Impeller - bronze SAE 40
Backplate - cast iron ASTM A48, Class 30
Shaft Sleeve - bronze SAE 660
Shaft - SAE 1144 Stressproof®
Sealing Arrangement - packing (Cycloseal® standard on HC pumps).

Other materials of construction and sealing options available.



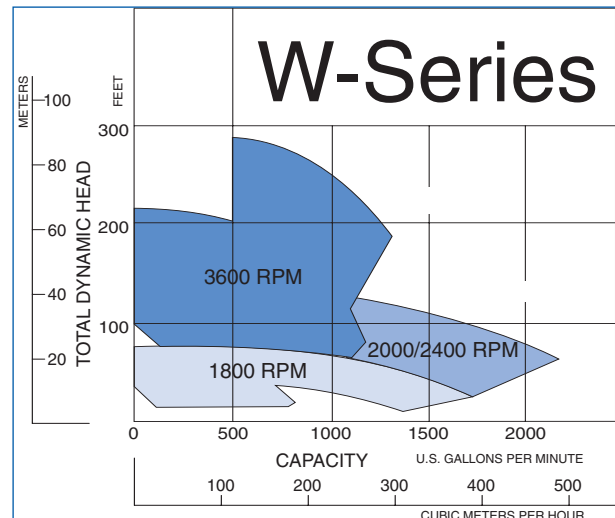
FEATURES AND BENEFITS

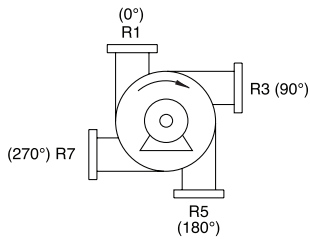
- Suited for small flow capacity (GPM) with medium head (pressure)
- Flows to 2550 GPM/579 CuM/Hr
- Pressures to 295 TDH/90 M
- Standard cast iron, bronze fitted construction
- External hydraulic balance line
- Back pullout
- Double volute (on 5WBH model only)
- High efficiency hydraulics
- Low operating cost
- Two year warranty

TYPICAL APPLICATIONS

- | | | | |
|----------------------|-----------------------|----------------------|------------------|
| • Aquaculture | • Golf course | • Micro spray | • Water booster |
| • Chilled water | • Gun system | • Mining | • Water transfer |
| • Construction | • Grey water | • Pivot | • Wheel line |
| • Dewatering systems | • Hard hose traveler | • Storm water | |
| • Drip irrigation | • Impact sprinkler | • Surface irrigation | |
| • Dust reduction | • Irrigation | • Tail water return | |
| • End gun booster | • Linear | • Turf | |
| • Flood irrigation | • Log pile irrigation | • Water | |

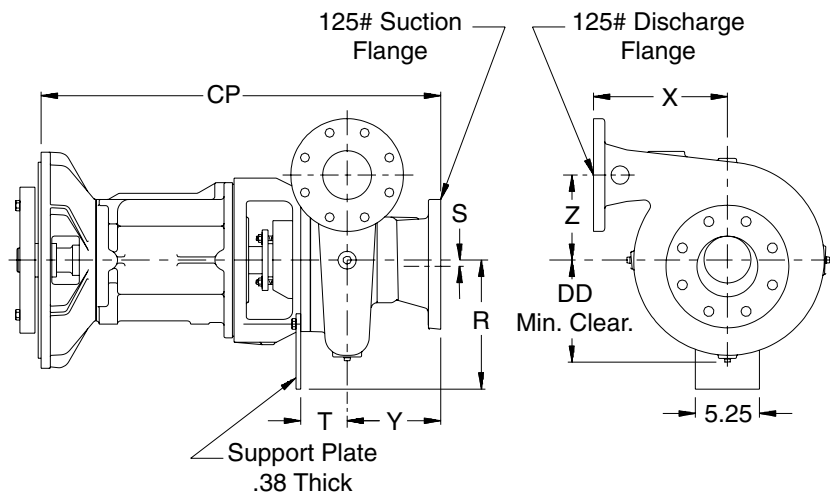
Stressproof® is a registered trademark of Niagara-LaSalle Steel.
 Cycloseal® (patent #5489187)





Discharge positions viewed from drive end

Consult factory for availability of other discharge positions.



For bellhousing and drive dimensions, see insert sheet ("Rubber Disc Drive, SAE Bell Housing, Coupling Projection Dimension").

For 125# flange dimensions, see insert sheet ("American National Standard Institute Standards For Cast Iron Pipe Flanges").

Do not use for construction unless certified.
Flange connection dimension can vary $\pm .12$ inch.

PUMP DIMENSIONS

Model	Connection			X	Y	Z	S	DD	R	T	CP
	Disch.	Suct.	Type								
4WB - EM16	4.0	5.0	FLG.	7.50	5.03	4.75	-	6.50	11.91	-	29.03
5WB - EM16	5.0	6.0	FLG.	9.75	6.66	5.50	0.50	7.25	12.88	-	32.53
5WBH - EM16	5.0	8.0	FLG.	7.75	10.28	7.88	0.44	9.25	14.88	3.88	37.50

For proper clutch sizes to SAE housing sizes, see insert sheet ("Rubber Disc Drive, SAE Bell Housing, Coupling Projection Dimension").

Cornell Pump Company

P.O. Box 6334

Portland, Oregon 97228-6334

e-mail: info@cornellpump.com

Phone (503) 653-0330 • Fax (503) 653-0338

CERTIFIED TO ISO 9001:2000