



CORNELL PUMP COMPANY

R Series - Vertical Close Coupled

STANDARD SPECIFICATION

Sizes Available: 2.5RB, 3RB, 3RC, 4RB, 4RC, 5RB, 5RC, 6RB, 6RC, 10RB

Discharge Size - 2.5 - 10 inch

Casing - cast iron ASTM A48, Class 30

Wear Rings - bronze SAE 660

Impeller - bronze SAE 40

Backplate - cast iron ASTM A48, Class 30

Shaft Sleeve - bronze SAE 660

Sealing Arrangement - packing (Cycloseal® standard on RC pumps).

Other materials of construction and sealing options available.



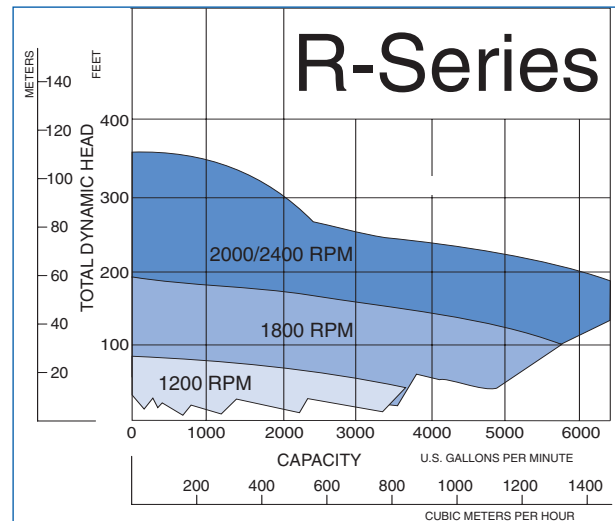
FEATURES AND BENEFITS

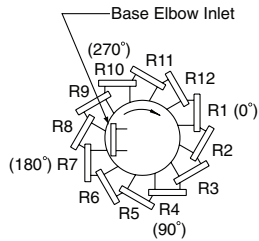
- Suited for medium to high capacity (GPM) with medium head (pressure)
- Flows to 5700 GPM/1293 CuM/Hr
- Pressures to 190 TDH/58 M
- Standard cast iron, bronze fitted construction
- External hydraulic balance line (except on RC)
- Back pullout
- Double volute (standard on 5" and larger)
- High efficiency hydraulics
- Low operating cost
- Two year warranty

TYPICAL APPLICATIONS

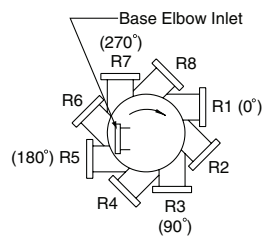
- | | | | | |
|----------------------|----------------------|----------------------|-----------------------|----------------------|
| • Aquaculture | • Dow therm trans | • Golf course | • Irrigation | • Storm water |
| • Boiler feed | • Drip irrigation | • Gun system | • Linear | • Surface irrigation |
| • Brine | • Dust reduction | • Grey water | • Log pile irrigation | • Tail water return |
| • Chilled water | • End gun booster | • Hard hose traveler | • Micro spray | • Turf |
| • Condenser spray | • Flood irrigation | • Hot cooking oil | • Mining | • Water |
| • Construction | • Food plant process | • Impact sprinkler | • Petroleum | • Water booster |
| • Cooling tower | • Frost protection | • Industrial process | • Pivot | • Water transfer |
| • Dewatering systems | • Glycol | • Industrial sludge | • Power plant | • Wheel line |
| | | • Industrial waste | • Pulp and paper | |

Cycloseal® (patent #5489187)





Discharge positions viewed from top end



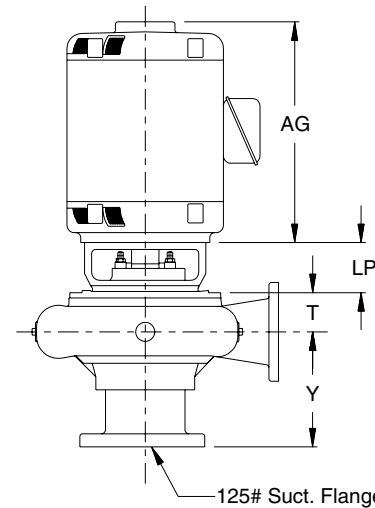
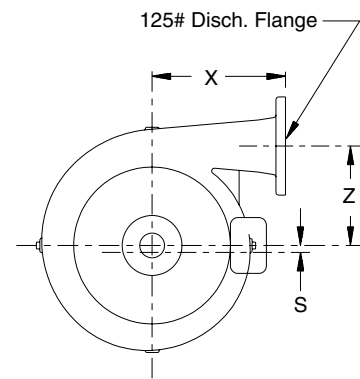
Discharge positions viewed from top end

6RB and 10RB discharge positions are in 30° increments.

Do not use for construction unless certified.
Flange connection dimension can vary $\pm .12$ inch.

PUMP DIMENSIONS

Model	Disch.	Suct.	S	T	X	Y	Z	LP
2.5RB	2.5	4	-	2.25	9.75	6.00	6.75	5.25
3RB	3	5	-	2.38	8.50	5.25	7.75	5.25
3RC	3	5	-	2.38	8.50	5.25	7.75	5.25
4RB	4	6	-	2.50	10.00	7.38	8.00	5.25
4RC	4	6	-	2.50	10.00	7.38	8.00	5.25
5RB	5	8	0.88	3.25	11.00	9.78	10.00	7.38
5RC	5	8	0.88	3.25	11.00	9.78	10.00	7.38
6RB	6	10	1.00	3.69	11.00	9.91	9.50	7.38
6RC	6	10	1.00	3.69	11.00	9.91	9.50	7.38
10RB	10	10	-	4.31	14.00	10.50	12.00	7.38



MOTOR DIMENSIONS

NEMA FRAME	AG
182	11.00
184	12.00
213	16.00
215	17.50
254	20.75
256	22.50
284	22.69
286	24.19
324	24.56
326	26.06
364	26.00
365	26.00
404	28.81
405	28.81
404	33.00
405	33.00

“AG” dimension is for ODP motors and is approximate and may vary depending on manufacturer.

For 125# flange dimensions, see insert sheet (“American National Standard Institute Standards For Cast Iron Pipe Flanges”).

For base elbow dimensions, see insert sheet (“Rubber Disc Drive, SAE Bell Housing, Coupling Projection Dimension”).

For motor frame size, see insert sheet (“Motor Frame Selection Guide”).

Cornell Pump Company
P.O. Box 6334
Portland, Oregon 97228-6334
e-mail: info@cornellpump.com
Phone (503) 653-0330 • Fax (503) 653-0338

CERTIFIED TO ISO 9001:2000