



CORNELL PUMP COMPANY

H Series - Engine Mounted

STANDARD SPECIFICATION

Sizes Available: 2.5H, 3HA, 3HC, 4HS, 4HH, 4HC, 5H, 5HH, 6H, 6HH, 8H

Discharge Size - 2.5 - 8 inch

Casing - cast iron ASTM A48, Class 30

Wear Rings - bronze SAE 660

Impeller - bronze SAE 40

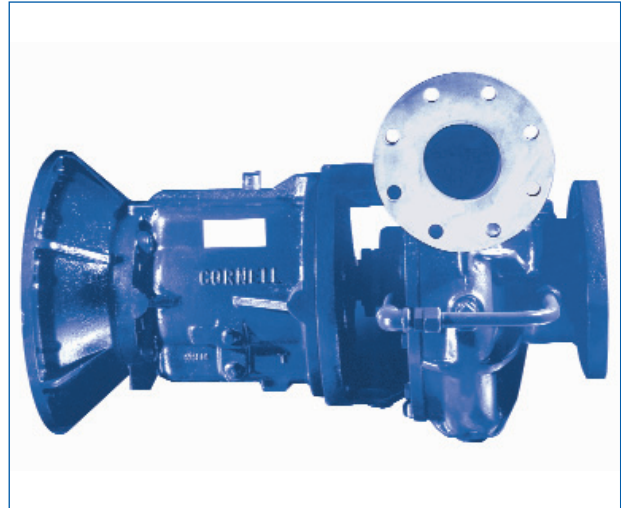
Backplate - cast iron ASTM A48, Class 30

Shaft Sleeve - bronze SAE 660

Shaft - SAE 1144 Stressproof®

Sealing Arrangement - packing (Cycloseal® standard on HC pumps).

Other materials of construction and sealing options available.



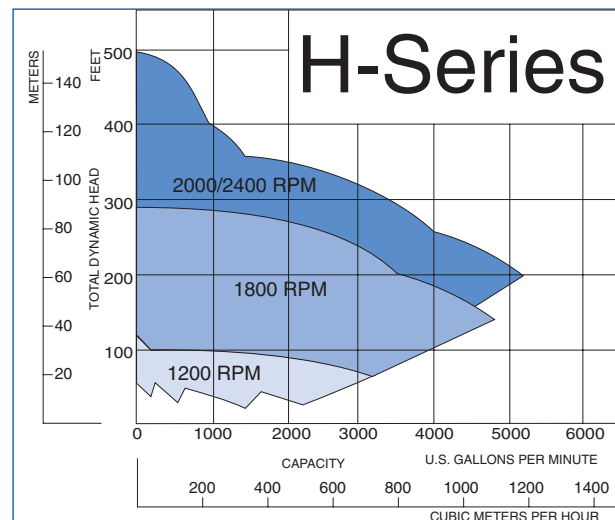
FEATURES AND BENEFITS

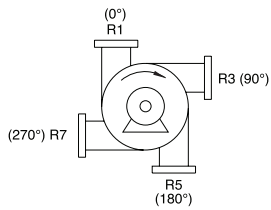
- Suited for medium to high capacity (GPM) with generally higher head (pressure)
- Flows to 5550 GPM/1250 CuM/Hr
- Pressures to 475 TDH/150 M
- Standard cast iron, bronze fitted construction
- External hydraulic balance line (except HC)
- Back pullout
- Double volute (standard on 4" and larger)
- High efficiency hydraulics
- Low operating cost
- Two year warranty

TYPICAL APPLICATIONS

- | | | | |
|----------------------|-----------------------|----------------------|------------------|
| • Aquaculture | • Golf course | • Micro spray | • Water booster |
| • Chilled water | • Gun system | • Mining | • Water transfer |
| • Construction | • Grey water | • Pivot | • Wheel line |
| • Dewatering systems | • Hard hose traveler | • Storm water | |
| • Drip irrigation | • Impact sprinkler | • Surface irrigation | |
| • Dust reduction | • Irrigation | • Tail water return | |
| • End gun booster | • Linear | • Turf | |
| • Flood irrigation | • Log pile irrigation | • Water | |

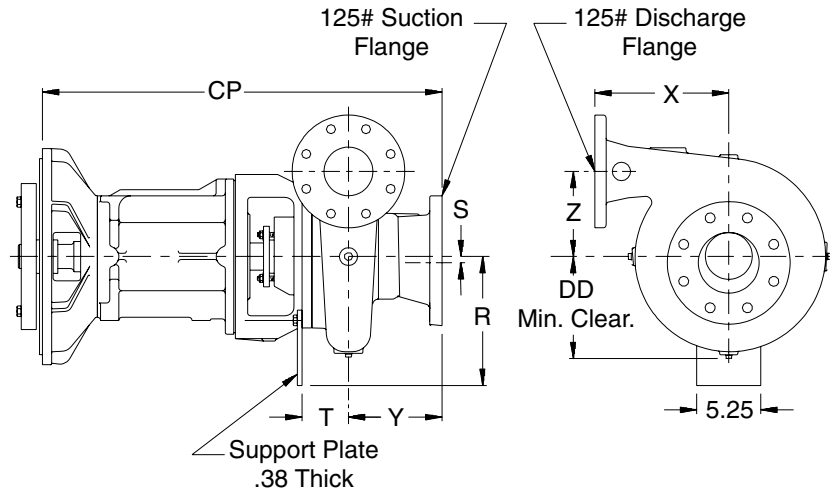
Stressproof® is a registered trademark of Niagara-LaSalle Steel.
Cycloseal® (patent #5489187)





Discharge positions viewed from drive end

Consult factory for availability of other discharge positions.



For bellhousing and drive dimensions, see insert sheet ("Rubber Disc Drive, SAE Bell Housing, Coupling Projection Dimension").

For 125# flange dimensions, see insert sheet ("American National Standard Institute Standards For Cast Iron Pipe Flanges").

Do not use for construction unless certified.
Flange connection dimension can vary $\pm .12$ inch.

PUMP DIMENSIONS

Model	Connection			X	Y	Z	S	DD	R	T	CP
	Disch.	Suct.	Type								
2.5H - EM16	2.5	4.0	FLG.	11.00	8.28	7.75	0.44	9.12	15.62	3.00	34.19
3HA - EM16	3.0	6.0	FLG.	10.00	8.53	8.50	0.44	10.38	16.09	3.34	34.62
3HA - EM18, EM18DB	3.0	6.0	FLG.	10.00	8.53	8.50	0.44	10.38	16.09	3.34	35.62
3HC - EM16	3.0	6.0	FLG.	10.00	8.53	8.50	0.44	10.38	16.09	3.34	31.38
3HC - EM18	3.0	6.0	FLG.	10.00	8.53	8.50	0.44	10.38	16.09	3.34	32.38
4HS - EM16	4.0	6.0	FLG.	12.50	8.53	9.12	0.44	10.50	16.09	3.28	34.56
4HS - EM18, EM18DB	4.0	6.0	FLG.	12.50	8.53	9.12	0.44	10.50	16.09	3.28	35.56
4HH - EM16	4.0	6.0	FLG.	9.50	8.97	11.25	0.44	14.25	16.09	3.38	35.09
4HH - EM18, EM18DB	4.0	6.0	FLG.	9.50	8.97	11.25	0.44	14.25	16.09	3.38	36.09
4HC - EM16	4.0	8.0	FLG.	11.00	10.88	9.75	0.88	11.75	16.09	3.03	34.81
4HC - EM18	4.0	8.0	FLG.	11.00	10.88	9.75	0.88	11.75	16.09	3.03	35.81
5H - EM16	5.0	8.0	FLG.	13.00	9.66	11.62	0.88	11.75	16.09	3.41	35.81
5H - EM18, EM18DB	5.0	8.0	FLG.	13.00	9.66	11.62	0.88	11.75	16.09	3.41	36.81
5HH - EM16	5.0	8.0	FLG.	11.00	10.53	10.25	0.44	16.00	16.75	3.59	37.34
5HH - EM18, EM18DB	5.0	8.0	FLG.	11.00	10.53	10.25	0.44	16.00	16.75	3.59	38.34
6H - EM16	6.0	8.0	FLG.	14.00	10.16	11.62	0.44	12.38	16.09	3.38	36.28
6H - EM18, EM18DB	6.0	8.0	FLG.	14.00	10.16	11.62	0.44	12.38	16.09	3.38	37.28
6HH - EM16	6.0	8.0	FLG.	12.00	10.41	12.00	0.44	13.88	16.09	3.91	37.53
6HH - EM18, EM18DB	6.0	8.0	FLG.	12.00	10.41	12.00	0.44	13.88	16.75	3.91	38.53
8H - EM16	8.0	10.0	FLG.	13.00	10.41	11.50	0.75	12.62	16.09	4.16	37.78
8H - EM18, EM18DB	8.0	10.0	FLG.	13.00	10.41	11.50	0.75	12.62	16.09	4.16	38.78

For proper clutch sizes to SAE housing sizes, see additional insert sheet ("Rubber Disc Drive, SAE Bell Housing, Coupling Projection").

Cornell Pump Company
P.O. Box 6334
Portland, Oregon 97228-6334
e-mail: info@cornellpump.com
Phone (503) 653-0330 • Fax (503) 653-0338

CERTIFIED TO **ISO 9001:2000**