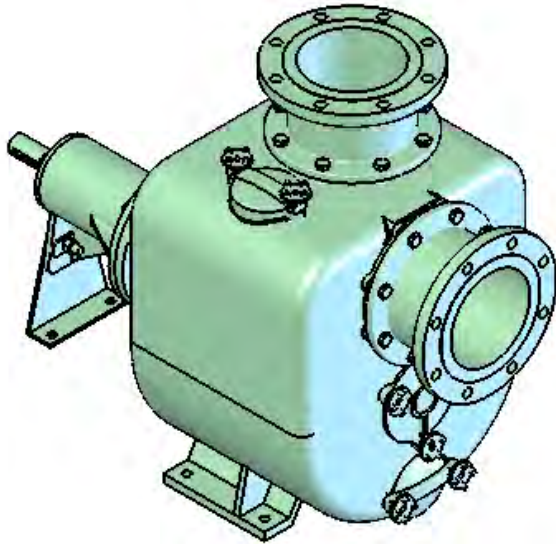




Efficient by Design

# 8SJ12-F

## SELF PRIMING TRASH PUMP



### PRODUCT CAPABILITIES

Size	8" x 8"
Capacities To	2200 GPM
Total Dynamic Heads	110 Ft.
Solids Handling	2.36" Dia
Repriming Lifts To	25 Ft.
Flanges	8" ANSI 150lb
Impeller	Semi-open, 4 Vane Trash Handling
Approx. Weight	653lb
Bearing Housing	Heavy Duty Ball Bearings - grease lubricated
Mounting Options	Pedestal Frame Mount, Base Mount

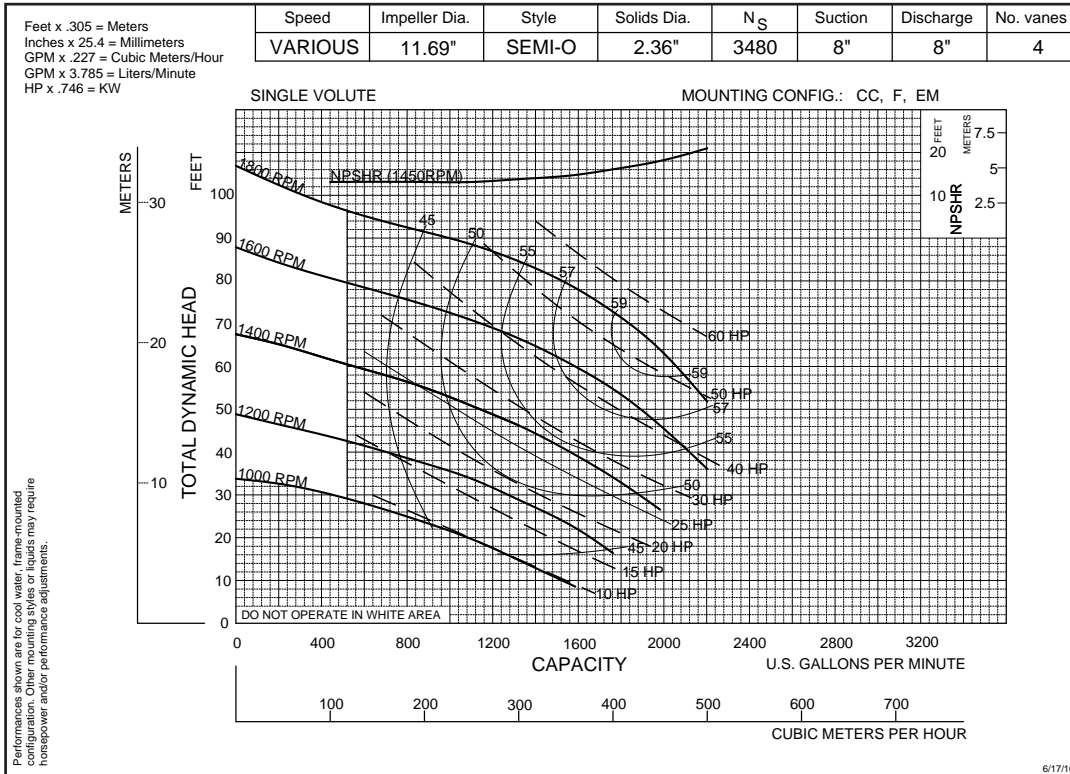
- ✓ Shimless impeller clearance adjustment
- ✓ Easily removable coverplate
- ✓ Back pullout rotating assembly
- ✓ Atmospheric barrier and lip seal
- ✓ Volute passes full solid size
- ✓ Exclusive rubber lined wear plate
- ✓ Easily replaceable suction check valve
- ✓ Heavy duty bearings
- ✓ Heavy duty castings
- ✓ Solids handling impeller
- ✓ Silicon-Carbide seal w/ grease lubrication
- ✓ Rapid Self-Priming
- ✓ No need for discharge check valve
- ✓ Optional casing heater

### MATERIALS OF CONSTRUCTION

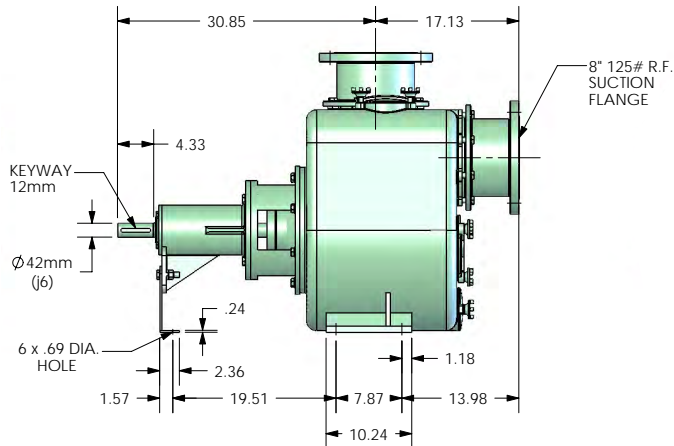
Materials	All Iron Volute & Impeller or Hard Iron Fitted* or 316SS Fitted* or Bronze Fitted*
Shaft	4130 Steel or Duplex Stainless Steel*
Bearings	Pump End: Ball Bearing Drive End: Ball Bearing
Wear Plates	Abrasion resistant rubber or Stainless Steel* or Hardened Iron* or Bronze*
Gaskets	Buna, Paper or Viton*
Suction Check Valve	Viton or Nitrile Rubber
Mechanical Seal	Silicon-Carbide Seal w/ grease lubrication

\*optional  
Other material available

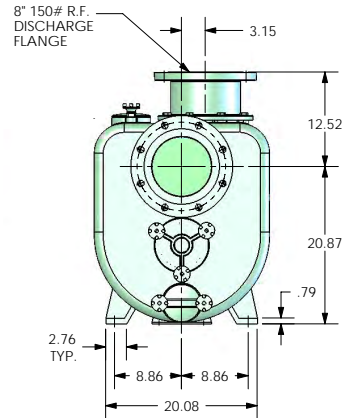
# 8SJ12-F SELF PRIMING TRASH PUMP



8SJ12 Flange



8SJ12 Flange



Other mounting configurations available