

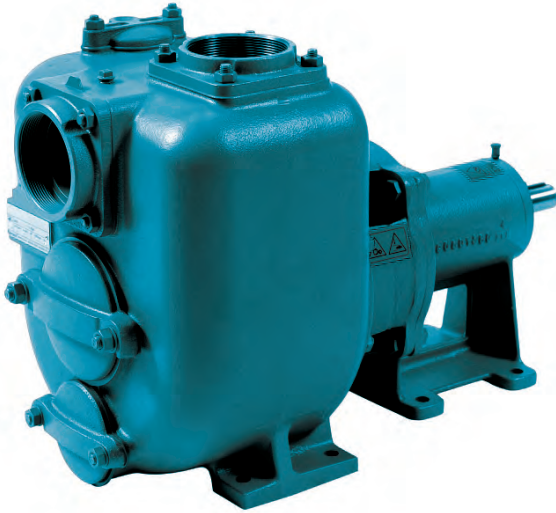


Efficient by Design

# 3SJ8-F

## SELF PRIMING TRASH PUMP

### PRODUCT CAPABILITIES



Size	3" x 3"
Capacities To	400 GPM
Total Dynamic Heads	100 Ft.
Solids Handling	1.5" Dia
Repriming Lifts To	25 Ft.
Flanges	3" NPT or ANSI 150lb
Impeller	Semi-open, 3 Vane Trash Handling
Approx. Weight	165lb
Bearing Housing	Separate oil reservoir w/ dual bearing protection
Mounting Options	Pedestal Frame Mount, Base Mount

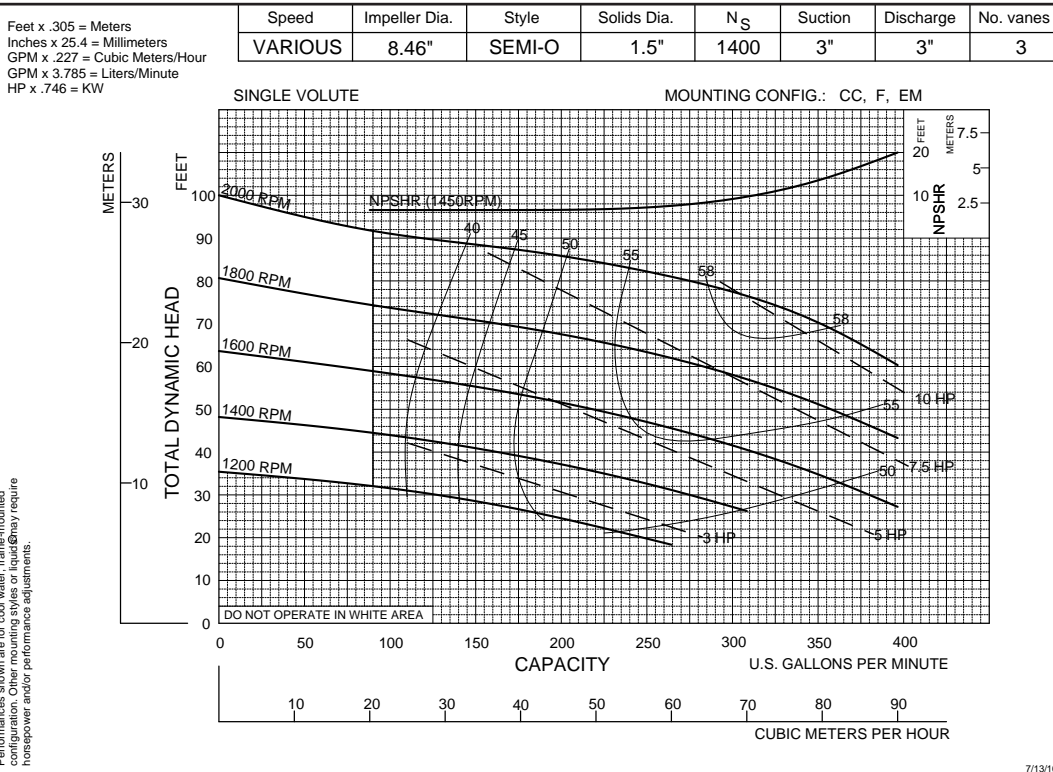
### MATERIALS OF CONSTRUCTION

- ✓ Shimless impeller clearance adjustment
- ✓ Easily removable coverplate
- ✓ Back pullout rotating assembly
- ✓ Dual protection of bearings
- ✓ Atmospheric barrier and dual lip seals
- ✓ Volute passes full solid size
- ✓ Exclusive rubber lined dual wear plates
- ✓ Easily replaceable suction check valve
- ✓ Heavy duty bearings
- ✓ Heavy duty castings
- ✓ Solids handling impeller
- ✓ Self aligning Silicon-Carbide seal w/ oil  
lubrication
- ✓ Rapid Self-Priming
- ✓ No need for discharge check valve
- ✓ Optional casing heater

Materials	All Iron Volute & Impeller or Hard Iron Fitted* or 316SS Fitted* or Bronze Fitted*
Shaft	1030HT Steel or Duplex Stainless Steel*
Bearings	Pump End: Ball Bearing Drive End: Dual Ball Bearing
Wear Plates	Oil resistant, rubber or Stainless Steel* or Hardened Iron* or Bronze*
O-rings	Buna or Viton*
Pressure Relief Valve	Brass
Suction Check Valve	Canvas Reinforced Nitrile Rubber
Mechanical Seal	Self aligning Silicon-Carbide Seal w/ oil lubrication

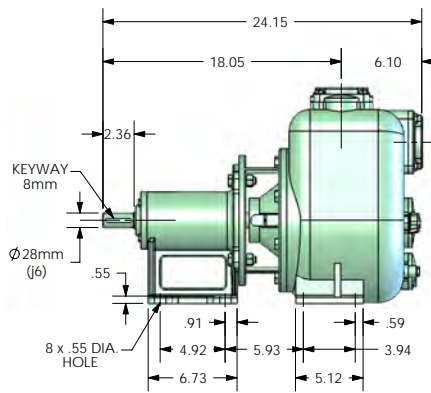
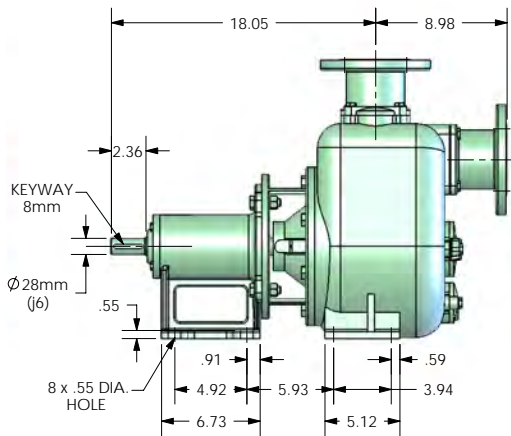
\*optional  
Other material options available

# 3SJ8-F SELF PRIMING TRASH PUMP



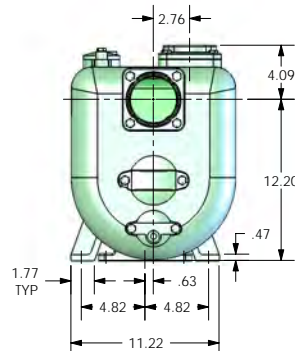
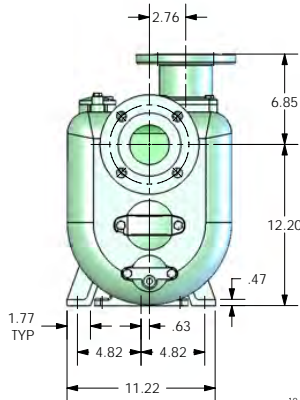
**3SJ8 Flange**

**3SJ8 Threaded**



**3SJ8 Flange**

**3SJ8 Threaded**



Other mounting configurations available